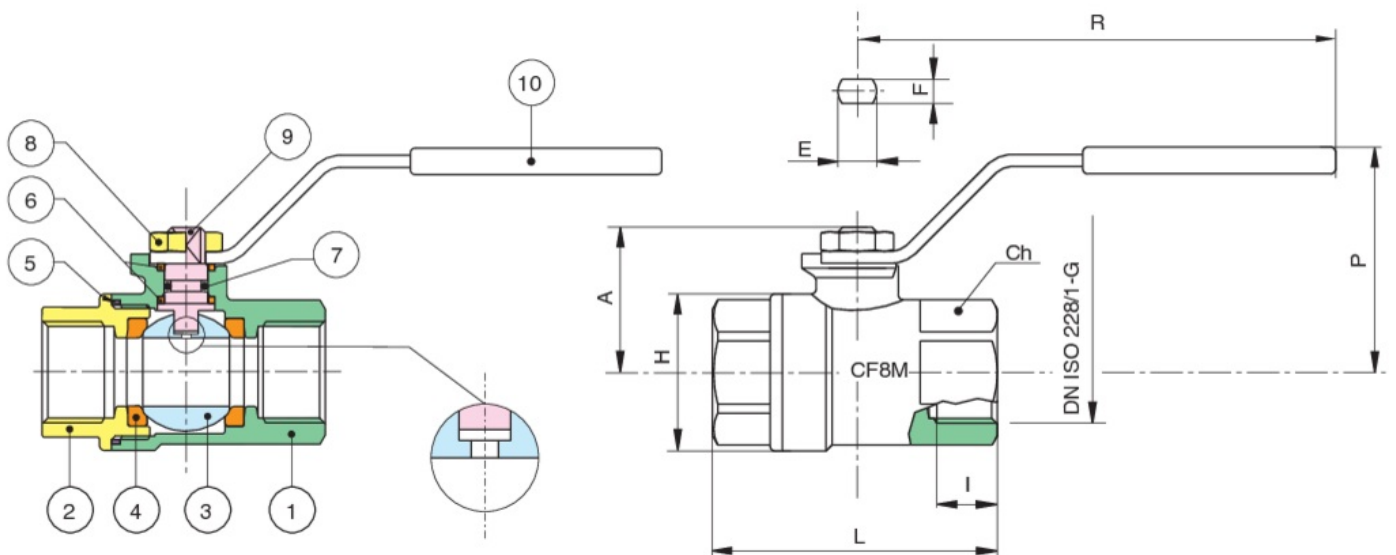


## 704000

Válvula de bola en acero inoxidable AISI 316-CF8M, rosca H/H, de paso total.

### Especificaciones técnicas



Temperature range: -20°C +160°C.

Vacuum:  $10^{-2}$  torr.

| POSICIÓN | NOMBRE DE LA PIEZA | MATERIAL             | N.º PIEZAS |
|----------|--------------------|----------------------|------------|
| 1        | CUERPO             | A351-CF8M            | 1          |
| 2        | TERMINAL           | A351-CF8M            | 1          |
| 3        | BOLA               | A479-TP316/A351-CF8M | 1          |
| 4        | ASIENTO ESFERA     | PTFE                 | 2          |
| 5        | JUNTAS             | PTFE                 | 1          |
| 6        | EMPAQUETADURA      | PTFE                 | 2          |
| 7        | O-RING             | FKM                  | 1          |
| 8        | TUERCA             | A182-F304            | 1          |
| 9        | EJE                | A479-TP316/17-4-PH   | 1          |
| 10       | PALANCA            | INOX AISI 430        | 1          |

| TAMAÑO | DN | CÓDIGO   | BOX | A    | H    | L    | R   | CH    | I    | E  | F | P  | KV    | PN | KG   |
|--------|----|----------|-----|------|------|------|-----|-------|------|----|---|----|-------|----|------|
| 1/4"   | 8  | 70400002 | 15  | 28   | 30   | 53,5 | 110 | ES.22 | 10   | 8  | 5 | 44 | 5,5   | 64 | 0,22 |
| 3/8"   | 10 | 70400003 | 15  | 28   | 30   | 53,5 | 110 | ES.22 | 10   | 8  | 5 | 44 | 8,5   | 64 | 0,20 |
| 1/2"   | 15 | 70400004 | 10  | 30,5 | 35   | 60   | 110 | ES.27 | 13   | 8  | 5 | 47 | 19,2  | 64 | 0,25 |
| 3/4"   | 20 | 70400005 | 15  | 37   | 42,5 | 70   | 131 | ES.32 | 14   | 10 | 7 | 54 | 35    | 40 | 0,45 |
| 1"     | 25 | 70400006 | 5   | 41   | 52   | 79   | 131 | OT.41 | 17   | 10 | 7 | 58 | 64,5  | 40 | 0,85 |
| 1"1/4  | 32 | 70400007 | 2   | 50   | 62   | 91   | 174 | OT.50 | 19   | 12 | 8 | 70 | 103,8 | 25 | 1,20 |
| 1"1/2  | 40 | 70400008 | 2   | 57   | 75   | 103  | 174 | OT.55 | 19,5 | 12 | 8 | 76 | 174   | 25 | 1,80 |
| 2"     | 50 | 70400010 | 2   | 66   | 95   | 124  | 174 | OT.70 | 22,5 | 12 | 8 | 86 | 301,3 | 25 | 2,70 |

## Piezas de repuesto

### ● PALANCAS

| Código | Material | Tamaño |
|--------|----------|--------|
| RI2012 | AISI 430 | 1/8"   |
| RI2012 | AISI 430 | 1/4"   |
| RI2012 | AISI 430 | 3/8"   |
| RI2012 | AISI 430 | 1/2"   |
| RI2013 | AISI 430 | 3/4"   |
| RI2013 | AISI 430 | 1"     |
| RI2447 | AISI 430 | 1"1/4  |
| RI2447 | AISI 430 | 1"1/2  |
| RI2447 | AISI 430 | 2"     |

### ● ASIENTOS

| Código | Material | Tamaño |
|--------|----------|--------|
| RI2178 | PTFE     | 1/4"   |
| RI2178 | PTFE     | 3/8"   |
| RI2112 | PTFE     | 1/2"   |
| RI2113 | PTFE     | 3/4"   |
| RI2114 | PTFE     | 1"     |
| RI2115 | PTFE     | 1"1/4  |
| RI2116 | PTFE     | 1"1/2  |
| RI2117 | PTFE     | 2"     |

### ● BOLAS

| Código      | Material           | Tamaño |
|-------------|--------------------|--------|
| 00301000002 | AISI 316           | 1/4"   |
| 00301000002 | AISI 316           | 3/8"   |
| 00304000078 | AISI 316           | 1/2"   |
| 00305000035 | AISI 316, AISI 304 | 3/4"   |
| 00306000082 | AISI 316           | 1"     |
| 00307000031 | AISI 316           | 1"1/4  |
| 00308000026 | AISI 316           | 1"1/2  |
| 00310000080 | AISI 316           | 2"     |

### ● EJES

| Código      | Material | Tamaño |
|-------------|----------|--------|
| 00404007001 | AISI 316 | 1/4"   |
| 00404007001 | AISI 316 | 3/8"   |
| 00404007001 | AISI 316 | 1/2"   |
| 00405007004 | AISI 316 | 3/4"   |
| 00406007004 | AISI 316 | 1"     |
| 00407007001 | AISI 316 | 1"1/4  |
| 00408007007 | AISI 316 | 1"1/2  |
| 00408007007 | AISI 316 | 2"     |