

WAFER PN16

720500



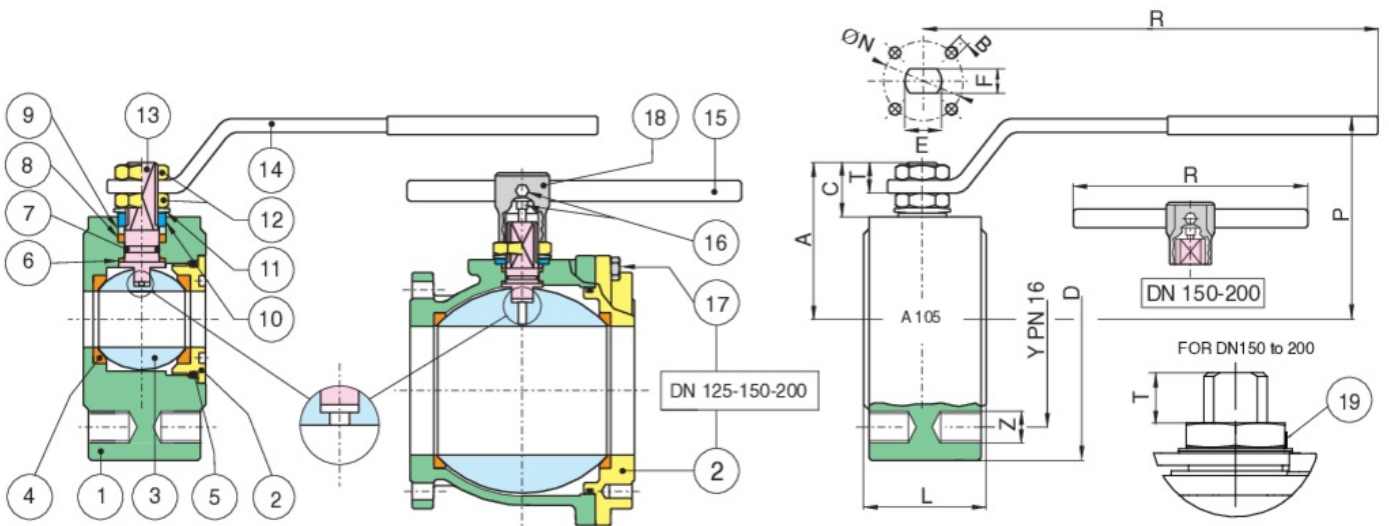
Full bore flanged ball valve PN16, in blued carbon steel ASTM A105/A352-LCB.

ASTM-A105 PN16 for solvents

V-Ball option



Technical specifications



POSITION	PART NAME	MATERIAL	N.° PIECES
1	BODY	ASTM A105/A352-LCB	1
2	END CONNECTION	ASTM A105/A352-LCB	1
3	BALL	A351-CF8/A479-TP304	1
4	BALL SEAT	PTFE	2
5	O-RING	FKM	1
6	THRUST WASHER	PTFE	1
7	RING	FKM	1
8	STEM SEAT	PTFE	1
9	PACKING GLAND	CARBON STEEL	1
10	END STOP	INOX AISI 430 (DN15-DN50) CARBON STEEL (DN65-DN150)	2-1
11	SPRING WASHER	CARBON STEEL	2
12	NUT	CARBON STEEL	2
13	STEM	A479-TP304	1
14	HANDLE	CARBON STEEL	1
15	HANDLE DN 150-200	CARBON STEEL	1
16	SCREW	CARBON STEEL	2
17	SCREW	CARBON STEEL	8-12
18	BODY HANDLE DN 150-200	EN-GJL 250	1
19	Unscrewing grower	A182-F316	1

SIZE	DN	CODE	D	Y	Z	L	R	P	A	C	T	E	F	ØN	B	KV	PN	KG
1/2"	15	72050004	90	65	4	35	131	65	47	15,5	9	10	7	32	4	19,2	16	1,40
3/4"	20	72050005	100	75	4	40	131	69	51,5	15,5	9	10	7	32	4	35	16	1,90
1"	25	72050006	110	85	4	46	174	80	61	19,5	11	12	8	42	4	64,5	16	2,70
1"1/4	32	72050007	130	100	4	54	174	84	65,5	16,5	11	12	8	42	4	103,8	16	4,20
1"1/2	40	72050008	140	110	4	63,5	250	102	78	24,5	13	16	10	50	4	174	16	6,30
2"	50	72050010	150	125	4	82	250	111	87	25	13	16	10	50	4	301,3	16	8,70
2"1/2	65	72050012	175	145	4	103	321	128	104,5	28	18	20	14	70	4	545,7	16	15,50
3"	80	72050014	190	160	8	122	321	138	115	28,5	18	20	14	70	4	872,5	16	20,50
4"	100	72050018	220	180	8	152	381	156	137	34,5	22	24	18	102	4	1363,3	16	34,20
5"	125	72050019	250	210	8	196	381	178	159	34	22	24	18	102	4	2360,3	16	40,50
6"	150	72050020	300	240	8	232	700	266	201,5	51,5	30	42	30	125	4	3671,1	16	66,20
8"	200	72050021	340	295	12	400	700	332	288	68	41	42	30	125	4	6816,6	16	104,00

Certifications

F.E. TESTED
ISO15848-1

F.E. TESTED ISO15848-1



TUV

SIL 3

SIL 3



ATEX FIRE-SAFE (On request)