

WAFER PN16

720244

Full bore flanged ball valve PN16, in blued carbon steel ASTM A105/A352-LCB.

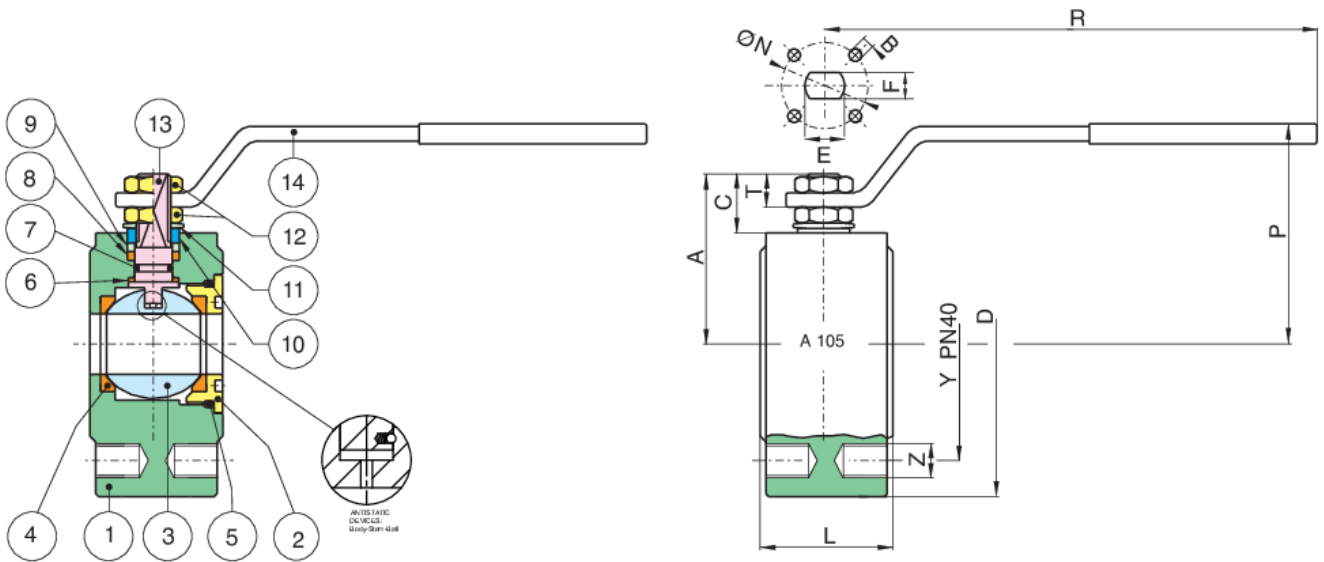
ASTM-A105 PN40 Fire Safe.



V-Ball option



Technical specifications



POSITION	PART NAME	MATERIAL	N.° PIECES
1	BODY	ASTM A105	1
2	END CONNECTION	ASTM A105	1
3	BALL	A351-CF8/A479-TP304	1
4	BALL SEAT	PTFE CARBOGRAFITE - CARBON FILLED PTFE	2
5	O-RING	FKM (VITON)	1
6	ANTIFRICTION RING	PTFE CARBOGRAFITE - CARBON FILLED PTFE	1
7	O-RING	FKM (VITON)	1
8	STEM SEAT	PTFE CARBOGRAFITE - CARBON FILLED PTFE	1
9	PACKING GLAND	A37+Z/P	1
10	90° STOP	AISI 430 (DN15-DN50) A37+Z-P (DN65-DN200)	2-1
11	SPRING WASHER	51CrV4+Z/P	2
12	NUT	6S+Z/P	2
13	STEM	A479-TP304	1
14	HANDLE	A37+Z/P	1

SIZE	DN	CODE	D	Y	Z	L	R	P	A	C	T	E	F	ØN	B	KV	PN	KG
1/2"	15	72024404	90	65	4xM12	35	131	65	47	15,5	9	10	7	32	4xM5	19,2	40	1,4
3/4"	20	72024405	100	75	4xM12	40	131	69	51,5	15,5	9	10	7	32	4xM5	35	40	1,9
1"	25	72024406	110	85	4xM12	46	174	80	61	19,5	11	12	8	42	4xM5	64,5	40	2,7
1"1/4	32	72024407	130	100	4xM16	54	174	84	64,5	16,5	11	12	8	42	4xM5	103,8	40	4,3
1"1/2	40	72024408	140	110	4xM16	63,5	250	102	78	24,5	13	16	10	50	4xM6	174	40	6,3
2"	50	72024410	150	125	4xM16	82	250	111	87	25	13	16	10	50	4xM6	301,3	40	8,8
2"1/2	65	72024412	175	145	8xM16	103	321	128	104,5	25	18	20	14	70	4xM8	545,7	40	15,6
3"	80	72024414	190	160	8xM16	122	321	138	115	28,5	18	20	14	70	4xM8	872,5	40	20,80
4"	100	72024418	235	190	8xM20	152	381	156	137	34,5	22	24	18	102	4xM10	1363	40	39,3

Certifications

F.E. TESTED
ISO15848-1

F.E. TESTED ISO15848-1



TUV

SIL 3

SIL 3



ATEX FIRE-SAFE (On request)