

WAFER PN16

720007



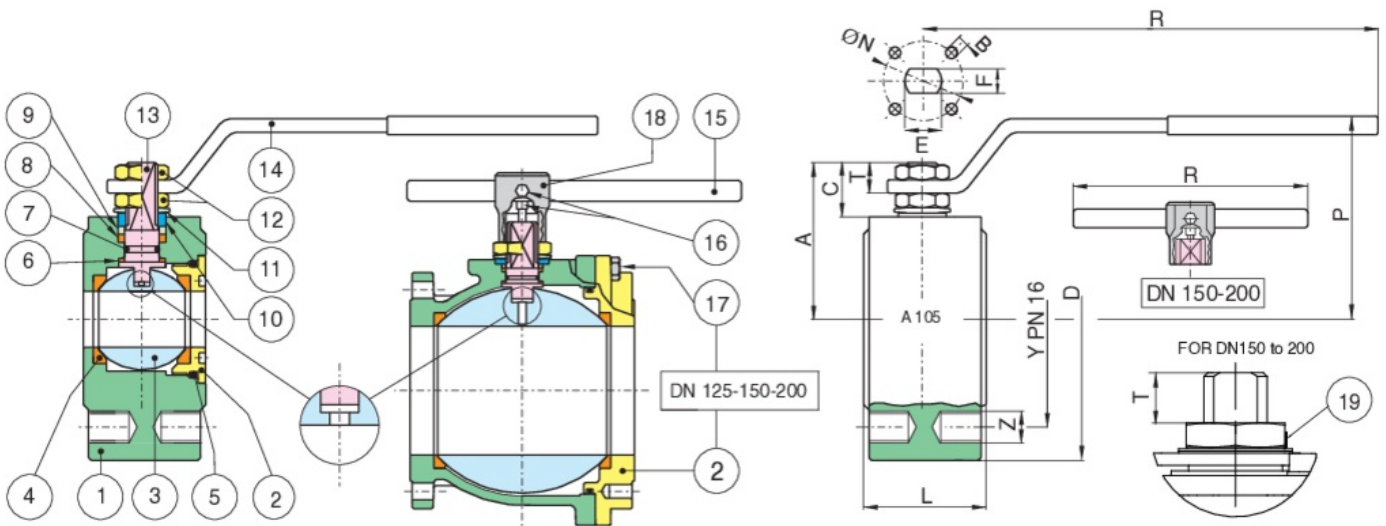
Full bore flanged ball valve PN16, in blued carbon steel ASTM A105/A352-LCB.

ASTM-A105 PN10-DN80

V-Ball option



Technical specifications



| POSITION | PART NAME | MATERIAL | N.° PIECES |
|----------|------------------------|---|------------|
| 1 | BODY | ASTM A105/A352-LCB | 1 |
| 2 | END CONNECTION | ASTM A105/A352-LCB | 1 |
| 3 | BALL | A351-CF8/A479-TP304 | 1 |
| 4 | BALL SEAT | PTFE | 2 |
| 5 | O-RING | FKM | 1 |
| 6 | THRUST WASHER | PTFE | 1 |
| 7 | RING | FKM | 1 |
| 8 | STEM SEAT | PTFE | 1 |
| 9 | PACKING GLAND | CARBON STEEL | 1 |
| 10 | END STOP | INOX AISI 430 (DN15-DN50) CARBON STEEL (DN65-DN150) | 2-1 |
| 11 | SPRING WASHER | CARBON STEEL | 2 |
| 12 | NUT | CARBON STEEL | 2 |
| 13 | STEM | A479-TP304 | 1 |
| 14 | HANDLE | CARBON STEEL | 1 |
| 15 | HANDLE DN 150-200 | CARBON STEEL | 1 |
| 16 | SCREW | CARBON STEEL | 2 |
| 17 | SCREW | CARBON STEEL | 8-12 |
| 18 | BODY HANDLE DN 150-200 | EN-GJL 250 | 1 |
| 19 | Unscrewing grower | A182-F316 | 1 |

| SIZE | DN | CODE | D | Y | Z | L | R | P | A | C | T | E | F | ØN | B | KV | PN | KG |
|-------|-----|----------|-----|-----|----|------|-----|-----|-------|------|----|----|----|-----|---|--------|----|--------|
| 1/2" | 15 | 72000704 | 90 | 65 | 4 | 35 | 131 | 65 | 47 | 15,5 | 9 | 10 | 7 | 32 | 4 | 19,2 | 16 | 1,40 |
| 3/4" | 20 | 72000705 | 100 | 75 | 4 | 40 | 131 | 69 | 51,5 | 15,5 | 9 | 10 | 7 | 32 | 4 | 35 | 16 | 1,90 |
| 1" | 25 | 72000706 | 110 | 85 | 4 | 46 | 174 | 80 | 61 | 19,5 | 11 | 12 | 8 | 42 | 4 | 64,5 | 16 | 2,70 |
| 1"1/4 | 32 | 72000707 | 130 | 100 | 4 | 54 | 174 | 84 | 65,5 | 16,5 | 11 | 12 | 8 | 42 | 4 | 103,8 | 16 | 4,20 |
| 1"1/2 | 40 | 72000708 | 140 | 110 | 4 | 63,5 | 250 | 102 | 78 | 24,5 | 13 | 16 | 10 | 50 | 4 | 174 | 16 | 6,30 |
| 2" | 50 | 72000710 | 150 | 125 | 4 | 82 | 250 | 111 | 87 | 25 | 13 | 16 | 10 | 50 | 4 | 301,3 | 16 | 8,70 |
| 2"1/2 | 65 | 72000712 | 175 | 145 | 4 | 103 | 321 | 128 | 104,5 | 28 | 18 | 20 | 14 | 70 | 4 | 545,7 | 16 | 15,50 |
| 3" | 80 | 72000714 | 190 | 160 | 8 | 122 | 321 | 138 | 115 | 28,5 | 18 | 20 | 14 | 70 | 4 | 872,5 | 16 | 20,50 |
| 4" | 100 | 72000718 | 220 | 180 | 8 | 152 | 381 | 156 | 137 | 34,5 | 22 | 24 | 18 | 102 | 4 | 1363,3 | 16 | 34,20 |
| 5" | 125 | 72000719 | 250 | 210 | 8 | 196 | 381 | 178 | 159 | 34 | 22 | 24 | 18 | 102 | 4 | 2360,3 | 16 | 40,50 |
| 6" | 150 | 72000720 | 300 | 240 | 8 | 232 | 700 | 266 | 201,5 | 51,5 | 30 | 42 | 30 | 125 | 4 | 3671,1 | 16 | 66,20 |
| 8" | 200 | 72000721 | 340 | 295 | 12 | 400 | 700 | 332 | 288 | 68 | 41 | 42 | 30 | 125 | 4 | 6816,6 | 16 | 104,00 |

Certifications

F.E. TESTED
ISO15848-1

F.E. TESTED ISO15848-1



TUV

SIL 3

SIL 3



ATEX FIRE-SAFE (On request)