

WAFER PN16



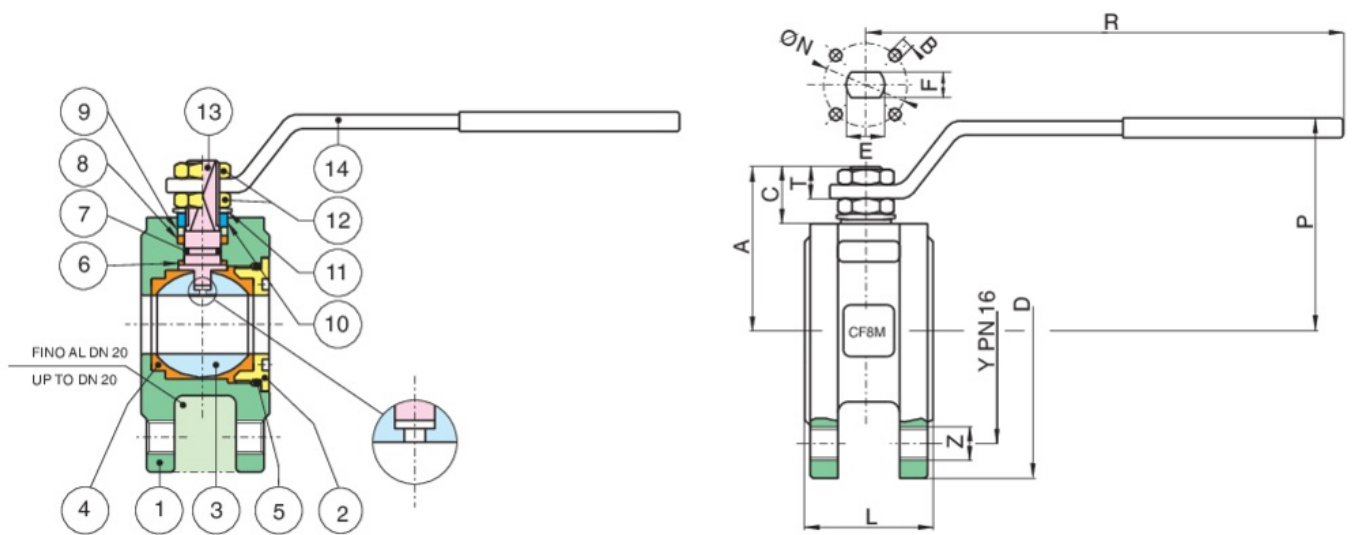
720002

Full bore flanged ball valve PN16, metric thread stainless steel A351-CF8 and A351-CF8M.

A182-F316/A351-CF8M integral seats.



Technical specifications



Temperature range: -20°C +160°C.

Vacuum: 10⁻³ torr.

POSITION	PART NAME	MATERIAL	N.° PIECES
1	BODY	A351-CF8M/A479-TP316	1
2	END CONNECTION	A351-CF8M/A479-TP316	1
3	BALL	A351-CF8M/A479-TP316	1
4	BALL SEAT T.I.A.	PTFE	4
5	O-RING	FKM (VITON)	1
6	O-RING	FKM (VITON)	1
7	STEM SEAT	PTFE	1
8	PACKING GLAND	A37+Z/P	1
9	90° STOP	AISI 430 (DN15-DN50) A37+Z-P (DN65-DN200)	2-1
10	SPRING WASHER	51CrV4+Z/P	2
11	NUT	6S+Z/P	2
12	STEM	A479-TP316	1
13	HANDLE	A37+Z/P	1
14	ANTIFRICTION RING	TFM	1

SIZE	DN	CODE	D	Y	Z	L	R	P	A	C	T	E	F	ØN	B	KV	PN	KG
1/2"	15	72000204	90	65	4xM12	35	131	65	47	15,5	9	10	7	32	4xM5	19,2	16	1,6
3/4"	20	72000205	100	75	4xM12	40	131	69	51,5	15,5	9	10	7	32	4xM5	35	16	2,1
1"	25	72000206	115	85	4xM12	46	174	80	61	17	11	12	8	42	4xM5	64,5	16	2,3
1"1/4	32	72000207	140	100	4xM16	54	174	84	64,5	15	11	12	8	42	4xM5	103,8	16	3,3
1"1/2	40	72000208	150	110	4xM16	63,5	250	102	78	24,5	13	16	10	50	4xM6	174	16	4,6
2"	50	72000210	165	125	4xM16	82	250	111	87	25	13	16	10	50	4xM6	301,3	16	6,5
2"1/2	65	72000212	185	145	4xM16	103	321	128	104,5	25	18	20	14	70	4xM8	545,7	16	10,5
3"	80	72000214	200	160	8xM16	122	321	138	115	28,5	18	20	14	70	4xM8	872,5	16	14,2
4"	100	72000218	220	180	8xM16	152	381	156	137	34,5	22	24	18	102	4xM10	1363,3	16	24,2

Certifications



ADR BS 14432



F.E. TESTED ISO15848-1



TUV

SIL 3

SIL 3



ATEX FIRE-SAFE (On request)