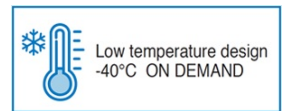


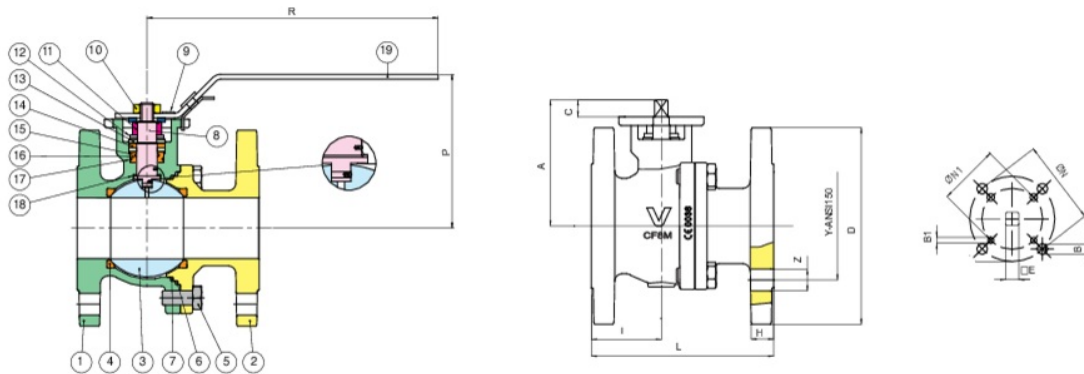
## 766001 CARBON STEEL



Flanged ANSI 150 blued carbon steel A352-LCB ball valve, full bore, with ISO 5211 pad direct, ANSI B 16.10 face to face dimension, Fire Safe, Antistaic Device.



### Technical specifications



Carbon steel temperature range: -20°C +160°C.

Vacuum: 10<sup>-3</sup> torr.

POSITION	PART NAME	MATERIAL	N.º PIECES
1	BODY	A352-LCB	1
2	END CONNECTION	A352-LCB	1
3	BALL	A479-TP304/A351-CF8	1
4	BALL SEAT	PTFE	2
5	SCREW	CARBON STEEL	4-8
6	BODY SEAT	GRAPHOIL	1
7	BODY SEAT	PTFE	1
8	STEM	17-4-PH	1
9	SCREW	CARBON STEEL	1
10	NUT	CARBON STEEL	1
11	NUT	CARBON STEEL	1
12	SPRING WASHER	CARBON STEEL	2
13	BUSH	A182-F316	2
14	STEM SEAT	GRAPHOIL	1
15	O-RING	FKM	1
16	STEM SEAT	PTFE	1
17	O-RING	FKM	1
18	THRUST WASHER	PTFE	1
19	HANDLE	STAINLESS STEEL	1

SIZE	DN	CODE	D	Y	Z	H	I	L	P	R	A	C	□E	ØN	B	ØN1	B1	KV	PN	KG
1/2"	15	76200004	-	-	-	-	-	-	-	-	-	-	-	-	-	-	-	-	-	-
3/4"	20	76200005	-	-	-	-	-	-	-	-	-	-	-	-	-	-	-	-	-	-
1"	25	76600106	110	79,5	4xØ16	14,7	54	127	93	160	69	11	9	50-F05	7	-	-	64,5	20	3,80
1"1/2	40	76600108	130	98,5	4xØ16	17,9	76	165	118	240	94	14	11	70-F07	8,5	50-F05	M6	174	20	7,00
2"	50	76600110	150	102,5	4xØ19	19,5	84,5	178	127	240	103	13,5	11	70-F07	8,5	50-F05	M6	301,3	20	9,60
2"1/2	65	76600112	180	139,7	4xØ19	23	75	190	154	321	128,5	17,5	14	70-F07	8,5	-	-	545,7	20	15,7
3"	80	76600114	190	152,5	4xØ19	24,3	93	203	162	320	137,5	17,5	14	102-F10	11	70-F07	M10	872,5	20	17,90
4"	100	76600118	230	190,5	8xØ19	24,3	99,5	229	177	380	153,5	19	17	102-F10	11	70-F07	M10	1363,3	20	24,30

## Certifications



TUV SIL 3



FIRE-SAFE Acc. EN ISO  
10497/API 607

## Spare Parts

### ● HANDLES

Code	Material	Size
RI2955	AISI 316	25
RI2955	AISI 316	32
RI2956	AISI 316	40
RI2956	AISI 316	50
RI2957	AISI 316	65
RI2957	AISI 316	80
RI2958	AISI 316	100

● SEATS

Code	Material	Size
RI2892	PTFE	25
RI2893	PTFE	32
RI2894	PTFE	40
RI2895	PTFE	50
RI2328	PTFE	65
RI2897	PTFE	80
RI2330	PTFE	100 DIN
RI2346	PTFE	100 Ansi

● BALL

Code	Material	Size
00304000046	AISI 304	15
00305000075	AISI 304	20
00306000038	AISI 304	25
00307000054	AISI 304	32
00308000029	AISI 304	40
00310000028	AISI 304	50
00312000013	AISI 304	65
00314000016	AISI 304	80
00318007004	AISI 304	100DIN
00318007002	AISI 304	100ANSI
00319007006	AISI 304	125
00320007001	AISI 304	150
00321000028	AISI 304	200

● STEMS ANTISTATIC DEVICE

Code	Material	Size
00406000038	AISI 316	25
00407000026	AISI 316	32
00408000040	AISI 316/17-4-PH	40
00408000040	AISI 316/17-4-PH	50
00412000042	AISI 316/17-4-PH	65
00412000042	AISI 316/17-4-PH	80
00418000029	AISI 316/17-4-PH	100
00406000039	AISI 304	25
00407000031	AISI 304	32
00408000041	AISI 304	40
00408000041	AISI 304	50
00418000031	AISI 304	100



Code	Material	Size
00412000042	AISI 304/17-4-PH	65
00412000042	AISI 304/17-4-PH	80