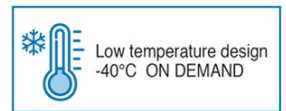
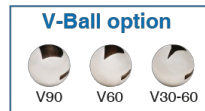


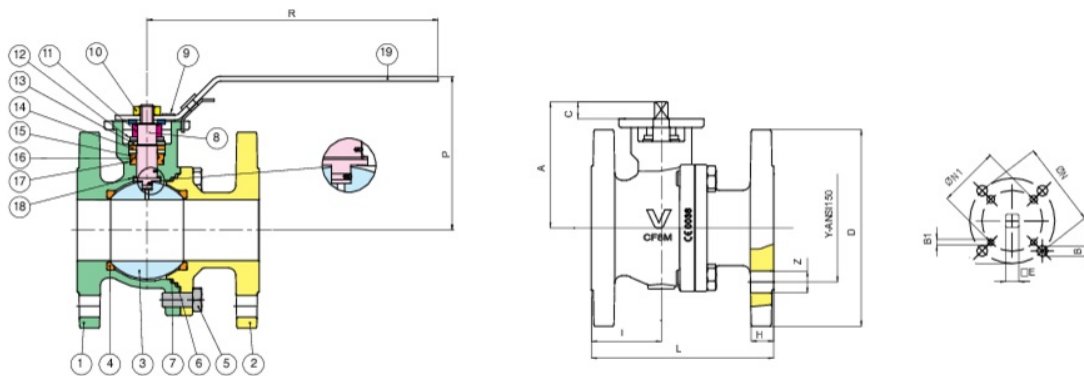
766000 STAINLESS STEEL



Flanged ANSI 150 stainless steel AISI A351-CF8M ball valve, full bore, with ISO 5211 pad direct, ANSI B 16.10 face to face dimension, Fire Safe, Antistatic Device.



Technical specifications



Stainless steel temperature range: -20°C +160°C.

Vacuum: 10⁻³ torr.

POSITION	PART NAME	MATERIAL	N.° PIECES
1	BODY	A351-CF8M	1
2	END CONNECTION	A351-CF8M	1
3	BALL	A479-TP316/A351-CF8M	1
4	BALL SEAT	PTFE	2
5	SCREW	STAINLESS STEEL	4-8
6	BODY SEAT	GRAPHOIL	1
7	BODY SEAT	PTFE	1
8	STEM	17-4-PH	1
9	SCREW	STAINLESS STEEL	1
10	NUT	STAINLESS STEEL	1
11	NUT	STAINLESS STEEL	1
12	SPRING WASHER	STAINLESS STEEL	2
13	BUSH	A182-F316	2
14	STEM SEAT	GRAPHOIL	1
15	O-RING	FKM	1
16	STEM SEAT	PTFE	1
17	O-RING	FKM	1
18	THRUST WASHER	PTFE	1
19	HANDLE	STAINLESS STEEL	1

SIZE	DN	CODE	D	Y	Z	H	I	L	P	R	A	C	□E	ØN	B	ØN1	B1	KV	PN	KG
1/2"	15	76000504	-	-	-	-	-	-	-	-	-	-	-	-	-	-	-	-	-	-
3/4"	20	76000505	-	-	-	-	-	-	-	-	-	-	-	-	-	-	-	-	-	-
1"	25	76600006	110	79,5	4xØ16	14,7	54	127	93	160	69	11	9	50-F05	7	-	-	64,5	20	3,80
1"1/2	40	76600008	130	98,5	4xØ16	17,9	76	165	118	240	94	14	11	70-F07	8,5	50-F05	M6	174	20	7,00
2"	50	76600010	150	102,5	4xØ19	19,5	84,5	178	127	240	103	13,5	11	70-F07	8,5	50-F05	M6	301,3	20	9,60
2" 1/2	65	76600012	180	139,7	4xØ19	23	75	190	154	321	128,5	17,5	14	70-F07	8,5	-	-	545,7	20	15,7
3"	80	76600014	190	152,5	4xØ19	24,3	93	203	162	320	137,5	17,5	14	102-F10	11	70-F07	M10	872,5	20	17,90
4"	100	76600018	230	190,5	8xØ19	24,3	99,5	229	177	380	153,5	19	17	102-F10	11	70-F07	M10	1363,3	20	24,30

Certifications



TUV SIL 3



FIRE-SAFE Acc. EN ISO
10497/API 607

Spare Parts

● HANDLES

Code	Material	Size
RI2955	AISI 316	25
RI2955	AISI 316	32
RI2956	AISI 316	40
RI2956	AISI 316	50
RI2957	AISI 316	65
RI2957	AISI 316	80
RI2958	AISI 316	100

● **SEATS**

Code	Material	Size
RI2892	PTFE	25
RI2893	PTFE	32
RI2894	PTFE	40
RI2895	PTFE	50
RI2328	PTFE	65
RI2897	PTFE	80
RI2330	PTFE	100 DIN
RI2346	PTFE	100 Ansi

● **BALL**

Code	Material	Size
00304000037	AISI 316	15
00305000031	AISI 316	20
00306000031	AISI 316	25
00307000031	AISI 316	32
00308000026	AISI 316	40
00310000080	AISI 316	50
00312000009	AISI 316	65
00314000013	AISI 316	80
00318007006	AISI 316	100DIN
00318007001	AISI 316	100ANSI
00319007005	AISI 316	125
00320007002	AISI 316	150
00321000027	AISI 316	200

● **STEMS ANTISTATIC DEVICE**

Code	Material	Size
00406000038	AISI 316	25
00407000026	AISI 316	32
00408000040	AISI 316/17-4-PH	40
00408000040	AISI 316/17-4-PH	50
00412000042	AISI 316/17-4-PH	65
00412000042	AISI 316/17-4-PH	80
00418000029	AISI 316/17-4-PH	100
00406000052	17-4-PH	25
00407000039	17-4-PH	32
00408000054	17-4-PH	40
00408000054	17-4-PH	50
00412000056	17-4-PH	65
00412000056	17-4-PH	80
00418000043	17-4-PH	100