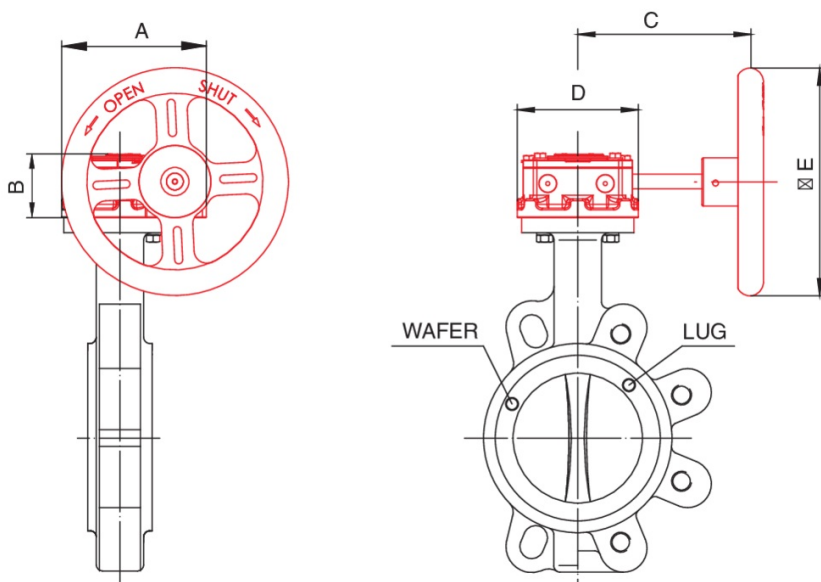




GEAR OPERATOR, UNDECLUTCHABLE FOR VALPRES BUTTERFLY VALVES SERIES 606 (VERTICAL WHEEL).

## Technical specifications



POSITION	PART NAME	MATERIAL
1	BODY	Ghisa grigia verniciata epossidica nera
2	COVER	Ghisa grigia verniciata epossidica nera
3	SQUARE	Ghisa sferoidale
4	TORQUE	Da 250 Nm a 1000 Nm - From 250 Nm to 1000 Nm
5	STROKE	90°± 5°
6	WORKING TEMPERATURE	-28°C +82°C

SIZE	CODE	DN	Ø	VERSIONI STANDARD - STANDARD VERSIONS	A MM	B MM	C MM	D MM	ØE MM
-	RI6349	50÷80	200	Riduttore manuale. - Gear operator.	108	58	150	92	200
-	RI6350	100÷150	200	Riduttore manuale. - Gear operator.	108	58	150	92	200
-	RI6351	200	285	Riduttore manuale. - Gear operator.	174	74	220	150	285
-	RI6352	250	285	Riduttore manuale. - Gear operator.	174	74	220	150	285
-	RI6353	300	285	Riduttore manuale. - Gear operator.	192	74	214	155	285

SIZE VALVE SERIES 72-73	A mm	B mm	C mm	D mm	ØE mm
DN65÷125	142	147	169	116	200
DN150-200	180	161	223	150	400

SIZE VALVE SERIES 76	A mm	B mm	C mm	D mm	ØE mm
DN50-65	107	118	154	88	160
DN80	107	138	154	88	160
DN100-125	142	147	169	116	200
DN150-200	180	161	223	150	400

Measures to be confirmed in case of order.