



720302 CARBON STEEL

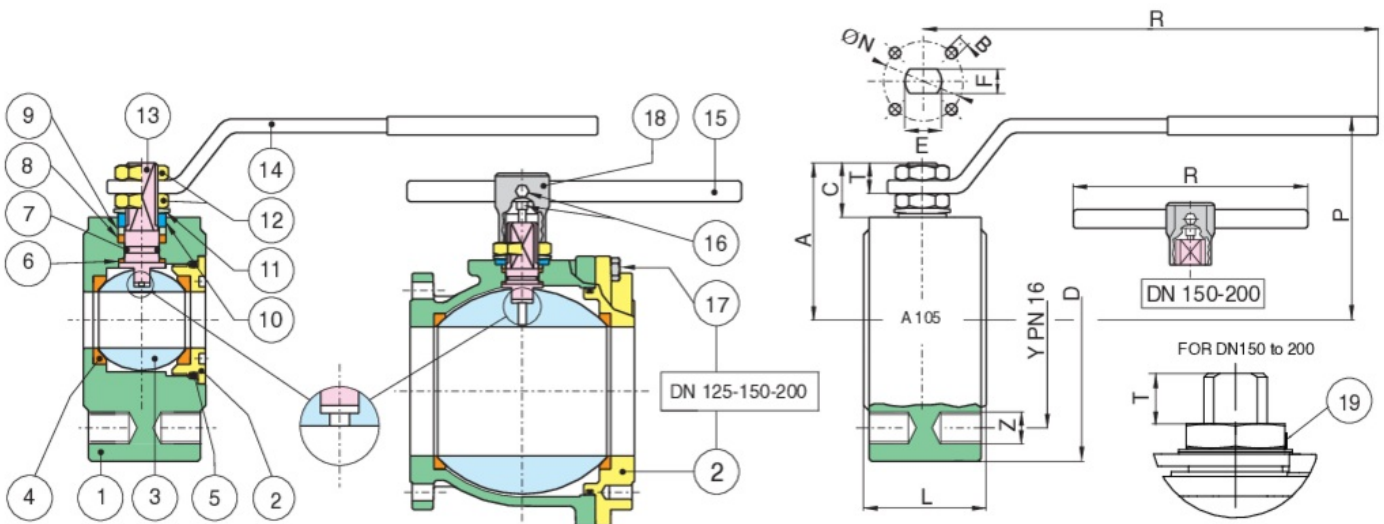
Full bore flanged ball valve PN16 with Antistatic Device and Fire Safe certificate, metric thread blued A105 carbon steel. Suitable for steam.

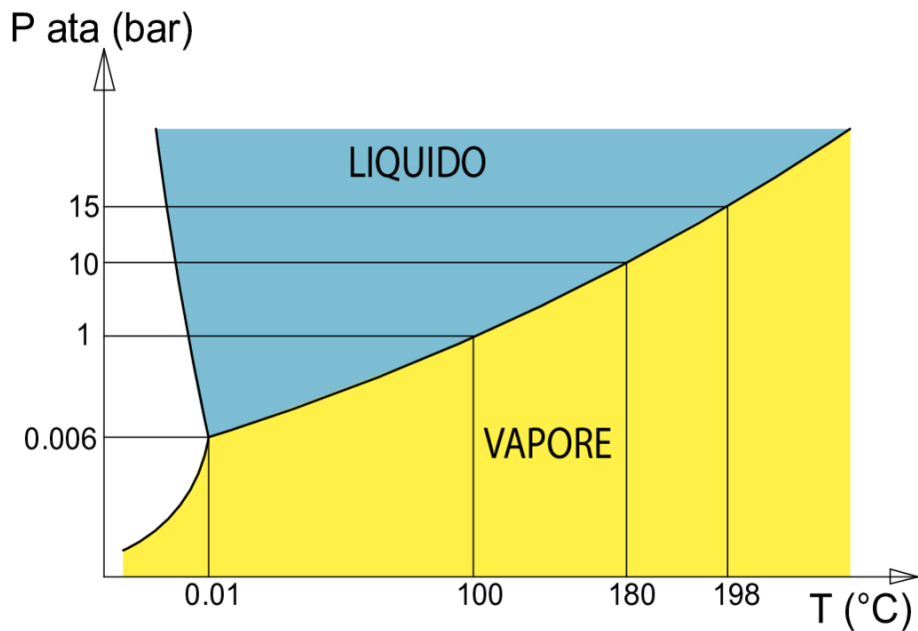
FOR STEAM

V-Ball option



Technical specifications





MAXIMUM WORKING PRESSURE 15 bar WITH STEAM.

POSITION	PART NAME	MATERIAL	N.° PIECES
1	BODY	ASTM-A105/LF2	1
2	END CONNECTION	ASTM-A105/LF2	1
3	BALL	A351-CF8/A479-TP304	1
4	BALL SEAT	PTFE+CARBOGRAFITE	2
5	O-RING	FKM	1
6	THRUST WASHER	PTFE+CARBOGRAFITE	1
7	O-RING	FKM	1
8	STEM SEAT	PTFE+CARBOGRAFITE	1
9	PACKING GLAND	CARBON STEEL	1
10	END STOP	INOX AISI 430 (DN15-DN50) CARBON STEEL (DN65-DN100)	2-1
11	SPRING WASHER	CARBON STEEL	2
12	NUT	CARBON STEEL	2
13	STEM	A479-TP304/17-4-PH	1
14	HANDLE	CARBON STEEL	1
15	HANDLE DN 150	CARBON STEEL	1
16	SCREW	CARBON STEEL	2
17	SCREW	CARBON STEEL	8-12
18	BODY HANDLE DN150-200	EN-GJL 250	1
19	UNSCREWING GROWER	A182-F316	1

SIZE	DN	CODE	D	Y	Z	L	R	P	A	C	T	E	F	ØN	B	KV	PN	KG
1/2"	15	72030204	90	65	4xM12	35	131	65	47	15,5	9	10	7	32	4xM5	19,2	16	1,90
3/4"	20	72030205	100	75	4xM12	40	131	69	51,5	15,5	9	10	7	32	4xM5	35	16	1,90
1"	25	72030206	115	85	4xM12	46	174	80	61	17	11	12	8	42	4xM5	64,5	16	2,70
1"1/4	32	72030207	140	100	4xM16	54	174	84	64,5	15	11	12	8	42	4xM5	103,8	16	4,20
1"1/2	40	72030208	150	110	4xM16	63,5	250	102	78	24,5	13	16	10	50	4xM6	174	16	5,90
2"	50	72030210	165	125	4xM16	82	250	111	87	25	13	16	10	50	4xM6	301,3	16	8,70
2"1/2	65	72030212	185	145	8xM16	103	321	128	104,5	25	18	20	14	70	4xM8	545,7	16	15,50
3"	80	72030214	200	160	8xM16	122	321	138	115	28,5	18	20	14	70	4xM8	872,5	16	20,50
4"	100	72030218	220	180	8xM16	152	381	156	137	34,5	22	24	18	102	4xM10	1363,3	16	34,20
5"	125	72030219	250	210	8xM16	196	381	178	159	34	22	24	18	102	4xM10	2360,3	16	40,50
6"	150	72030220	285	240	8xM20	232	700	266	201,5	51,5	30	42	30	125	4xM12	3671,1	16	66,20

Certifications

F.E. TESTED
ISO15848-1

F.E. TESTED ISO15848-1



SIL 3

SIL 3



ATEX FIRE-SAFE

Spare Parts

● HANDLES

Code	Material	Size
RI2018	A 37	15
RI2018	A 37	20
RI2019	A 37	25
RI2019	A 37	32
RI2020	A 37	40
RI2020	A 37	50
RI2016	A 37	65
RI2016	A 37	80
RI2017	A 37	100
RI2017	A 37	125
RI2021	A 37	150
RI2021	A 37	200

● SEATS

Code	Material	Size
RI2675	PTFE CARBOGRAFITE - CARBON FILLED PTFE	15
RI2676	PTFE CARBOGRAFITE - CARBON FILLED PTFE	20
RI2677	PTFE CARBOGRAFITE - CARBON FILLED PTFE	25
RI2678	PTFE CARBOGRAFITE - CARBON FILLED PTFE	32
RI2679	PTFE CARBOGRAFITE - CARBON FILLED PTFE	40
RI2680	PTFE CARBOGRAFITE - CARBON FILLED PTFE	50
RI2681	PTFE CARBOGRAFITE - CARBON FILLED PTFE	65
RI2682	PTFE CARBOGRAFITE - CARBON FILLED PTFE	80
RI2683	PTFE CARBOGRAFITE - CARBON FILLED PTFE	100
RI6175	PTFE CARBOGRAFITE - CARBON FILLED PTFE	125
RI6348	PTFE CARBOGRAFITE - CARBON FILLED PTFE	150

● BALL

Code	Material	Size
00304000046	AISI 304	15
00305000075	AISI 304	20
00306000038	AISI 304	25
00307000059	AISI 304	32
00308000029	AISI 304	40
00310000028	AISI 304	50
00312000013	AISI 304	65
00314000016	AISI 304	80
00318007004	AISI 304	100

● **STEMS**

Code	Material	Size
00405000061	AISI 304	15
00405000061	AISI 304	20
00406000046	AISI 304	25
00406000046	AISI 304	32
00408000051	AISI 304	40
00408000051	AISI 304	50
00412000054	AISI 304	65
00412000054	AISI 304	80
00418000037	AISI 304	100
00418000037	AISI 304	125
00420000016	AISI 304	150