

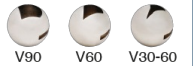


720301 STAINLESS STEEL

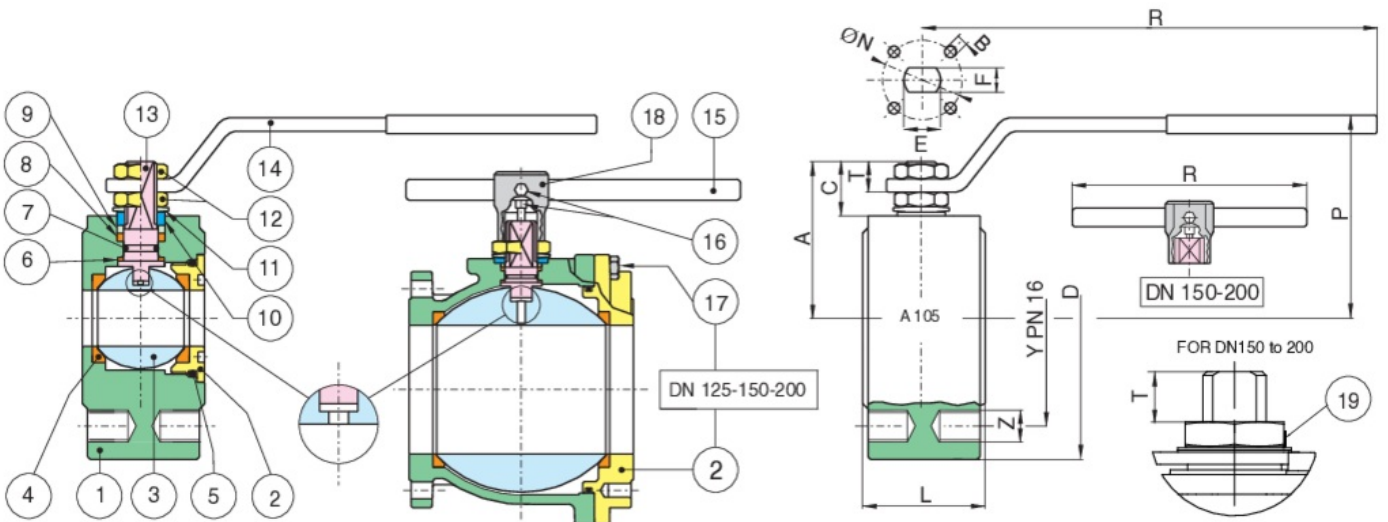
Full bore flanged ball valve PN16 with Antistatic Device and Fire Safe certificate, metric thread stainless steel A351-CF8M. Suitable for steam.

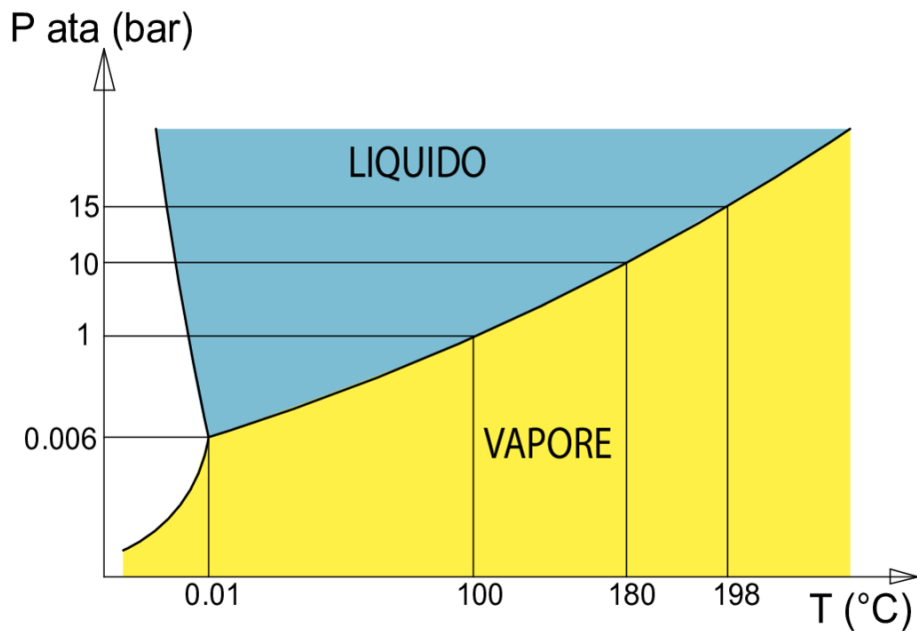
FOR STEAM

V-Ball option



Technical specifications





MAXIMUM WORKING PRESSURE 15 bar WITH STEAM.

| POSITION | PART NAME | MATERIAL | N.° PIECES |
|----------|-----------------------|---|------------|
| 1 | BODY | A351-CF8M/A479-TP316 | 1 |
| 2 | END CONNECTION | A351-CF8M/A479-TP316 | 1 |
| 3 | BALL | A351-CF8M/A479-TP316 | 1 |
| 4 | BALL SEAT | PTFE+CARBOGRAFITE | 2 |
| 5 | O-RING | FKM | 1 |
| 6 | THRUST WASHER | PTFE+CARBOGRAFITE | 1 |
| 7 | O-RING | FKM | 1 |
| 8 | STEM SEAT | PTFE+CARBOGRAFITE | 1 |
| 9 | PACKING GLAND | CARBON STEEL | 1 |
| 10 | END STOP | INOX AISI 430 (DN15-DN50) CARBON STEEL (DN65-DN100) | 2-1 |
| 11 | SPRING WASHER | CARBON STEEL | 2 |
| 12 | NUT | CARBON STEEL | 2 |
| 13 | STEM | A479-TP316/17-4-PH | 1 |
| 14 | HANDLE | CARBON STEEL | 1 |
| 15 | HANDLE DN 150 | CARBON STEEL | 1 |
| 16 | SCREW | CARBON STEEL | 2 |
| 17 | SCREW | CARBON STEEL | 8-12 |
| 18 | BODY HANDLE DN150-200 | EN-GJL 250 | 1 |
| 19 | UNSCREWING GROWER | A182-F316 | 1 |

| SIZE | DN | CODE | D | Y | Z | L | R | P | A | C | T | E | F | ØN | B | KV | PN | KG |
|-------|-----|----------|-----|-----|-------|------|-----|-----|-------|------|----|----|----|-----|-------|--------|----|-------|
| 1/2" | 15 | 72030104 | 90 | 65 | 4xM12 | 35 | 131 | 65 | 47 | 15,5 | 9 | 10 | 7 | 32 | 4xM5 | 19,2 | 16 | 1,30 |
| 3/4" | 20 | 72030105 | 100 | 75 | 4xM12 | 40 | 131 | 69 | 51,5 | 15,5 | 9 | 10 | 7 | 32 | 4xM5 | 35 | 16 | 1,90 |
| 1" | 25 | 72030106 | 115 | 85 | 4xM12 | 46 | 174 | 80 | 61 | 17 | 11 | 12 | 8 | 42 | 4xM5 | 64,5 | 16 | 2,20 |
| 1"1/4 | 32 | 72030107 | 140 | 100 | 4xM16 | 54 | 174 | 84 | 64,5 | 15 | 11 | 12 | 8 | 42 | 4xM5 | 103,8 | 16 | 3,30 |
| 1"1/2 | 40 | 72030108 | 150 | 110 | 4xM16 | 63,5 | 250 | 102 | 78 | 24,5 | 13 | 16 | 10 | 50 | 4xM6 | 174 | 16 | 4,20 |
| 2" | 50 | 72030110 | 165 | 125 | 4xM16 | 82 | 250 | 111 | 87 | 25 | 13 | 16 | 10 | 50 | 4xM6 | 301,3 | 16 | 6,10 |
| 2"1/2 | 65 | 72030112 | 185 | 145 | 4xM16 | 103 | 321 | 128 | 104,5 | 25 | 18 | 20 | 14 | 70 | 4xM8 | 545,7 | 16 | 10,00 |
| 3" | 80 | 72030114 | 200 | 160 | 8xM16 | 122 | 321 | 138 | 115 | 28,5 | 18 | 20 | 14 | 70 | 4xM8 | 872,5 | 16 | 13,50 |
| 4" | 100 | 72030118 | 220 | 180 | 8xM16 | 152 | 381 | 156 | 137 | 34,5 | 22 | 24 | 18 | 102 | 4xM10 | 1363,3 | 16 | 20,90 |
| 5" | 125 | 72030119 | 250 | 210 | 8xM16 | 196 | 381 | 178 | 159 | 34 | 22 | 24 | 18 | 102 | 4xM10 | 2360,3 | 16 | 40,50 |
| 6" | 150 | 72030120 | 285 | 240 | 8xM20 | 232 | 700 | 266 | 201,5 | 51,5 | 30 | 42 | 30 | 125 | 4xM12 | 3671,1 | 16 | 61,50 |

Certifications



F.E. TESTED ISO15848-1



TUV SIL 3



FIRESAFE ATEX BS6755-2

Spare Parts

● HANDLES

| Code | Material | Size |
|--------|----------|------|
| RI2018 | A 37 | 15 |
| RI2018 | A 37 | 20 |
| RI2019 | A 37 | 25 |
| RI2019 | A 37 | 32 |
| RI2020 | A 37 | 40 |
| RI2020 | A 37 | 50 |
| RI2016 | A 37 | 65 |
| RI2016 | A 37 | 80 |
| RI2017 | A 37 | 100 |
| RI2017 | A 37 | 125 |
| RI2021 | A 37 | 150 |
| RI2021 | A 37 | 200 |

● SEATS

| Code | Material | Size |
|--------|--|------|
| RI2397 | PTFE CON ANIMA METALLICA - METAL CORE PTFE | 15 |
| RI2435 | PTFE CON ANIMA METALLICA - METAL CORE PTFE | 20 |
| RI2460 | PTFE CON ANIMA METALLICA - METAL CORE PTFE | 25 |
| RI2436 | PTFE CON ANIMA METALLICA - METAL CORE PTFE | 32 |
| RI2437 | PTFE CON ANIMA METALLICA - METAL CORE PTFE | 40 |
| RI2461 | PTFE CON ANIMA METALLICA - METAL CORE PTFE | 50 |
| RI2462 | PTFE CON ANIMA METALLICA - METAL CORE PTFE | 65 |
| RI2463 | PTFE CON ANIMA METALLICA - METAL CORE PTFE | 80 |
| RI2464 | PTFE CON ANIMA METALLICA - METAL CORE PTFE | 100 |

● BALL

| Code | Material | Size |
|-------------|----------|------|
| 00304000037 | AISI 316 | 15 |
| 00305000031 | AISI 316 | 20 |
| 00306000031 | AISI 316 | 25 |
| 00307000028 | AISI 316 | 32 |
| 00308000026 | AISI 316 | 40 |
| 00310000080 | AISI 316 | 50 |
| 00312000009 | AISI 316 | 65 |
| 00314000013 | AISI 316 | 80 |
| 00318007006 | AISI 316 | 100 |

● STEMS

| Code | Material | Size |
|-------------|----------|------|
| 00405000029 | AISI 316 | 15 |
| 00405000029 | AISI 316 | 20 |
| 00406000011 | AISI 316 | 25 |
| 00406000011 | AISI 316 | 32 |
| 00408000010 | AISI 316 | 40 |
| 00408000010 | AISI 316 | 50 |
| 00412000021 | AISI 316 | 65 |
| 00412000021 | AISI 316 | 80 |
| 00420000001 | AISI 316 | 150 |
| 00420000001 | AISI 316 | 200 |

● STEMS ANTISTATIC DEVICE

| Code | Material | Size |
|-------------|----------|------|
| 00418000006 | AISI 316 | 100 |
| 00418000006 | AISI 316 | 125 |