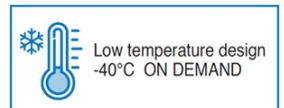
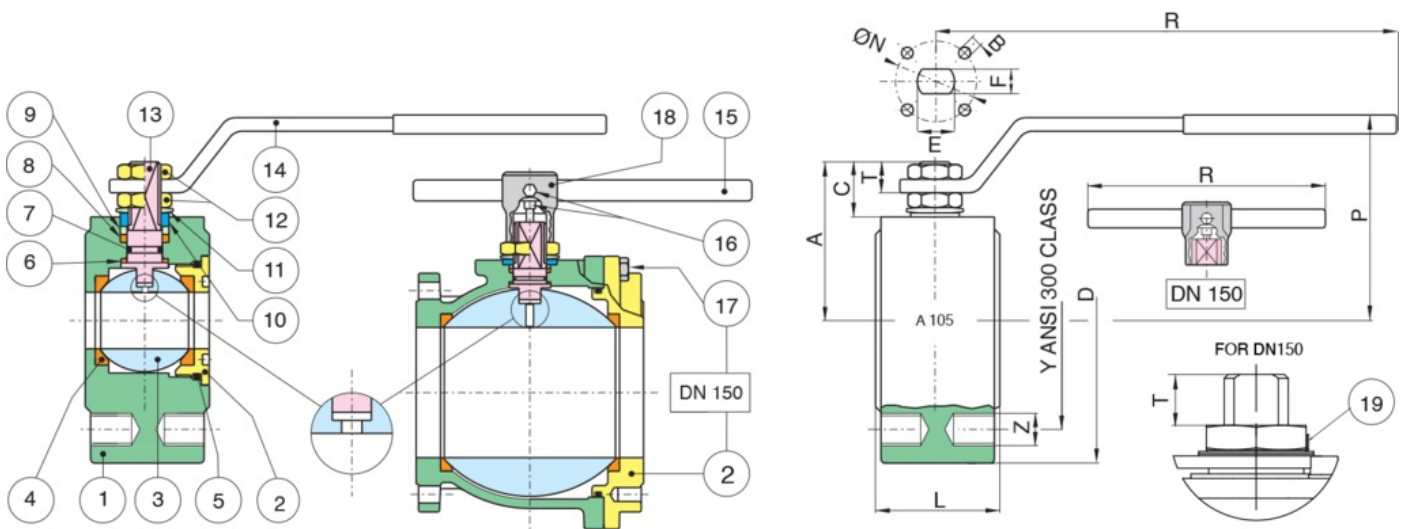


720232 CARBON STEEL

Full bore flanged ball valve ANSI 300, metric thread blued A105/A216 WCB carbon steel.



Technical specifications



Temperature range: -20°C +160°C.

Vacuum: 10⁻³ torr.

POSITION	PART NAME	MATERIAL	N.° PIECES
1	BODY	ASTM A105/A352-LCB (6")	1
2	END CONNECTION	ASTM A105	1
3	BALL	A479-TP304/A351-CF8	1
4	BALL SEAT	PTFE+FIBERGLASS	2
5	O-RING	FKM	1
6	THRUST WASHER	PTFE	1
7	O-RING	FKM	1
8	STEM SEAT	PTFE	1
9	PACKING GLAND	CARBON STEEL	1
10	END STOP	INOX AISI 430 (DN15-DN50) CARBON STEEL (DN65-DN150)	2-1
11	SPRING WASHER	CARBON STEEL	2
12	NUT	CARBON STEEL	2
13	STEM	A479-TP304/17-4-PH	1
14	HANDLE	CARBON STEEL	1
15	HANDLE DN 150-200	CARBON STEEL	1
16	SCREW	CARBON STEEL	2
17	SCREW	CARBON STEEL	12
18	BODY HANDLE DN 150	EN-GJL 250	1
19	UNSCREWING GROWER	A182-F316	1

SIZE	DN	CODE	D	Y	Z	L	R	P	A	C	T	E	F	ØN	B	KV	PN	KG
1/2"	15	72023204	95	66,5	4xM14	35	131	65	47	11,5	8,5	10	7	32	4xM5	19,2	50	1,40
3/4"	20	72023205	120	82,5	4xM16	40	131	69	51,5	9,6	8,1	10	7	32	4xM5	35	50	2,50
1"	25	72023206	120	89	4xM16	46	174	80	61	13	10,5	12	8	42	4xM5	64,5	50	3,10
1"1/4	32	72023207	130	98,5	4xM16	54	174	84	64,5	16,5	10,5	12	8	42	4xM5	103,8	50	4,20
1"1/2	40	72023208	150	114,5	4xM20	63,5	250	102	78	20,5	13	16	10	50	4xM6	174	50	6,70
2"	50	72023210	165	127	8xM16	82	250	111	87	16	12,4	16	10	50	4xM6	301,3	50	10,40
2"1/2	65	72023212	190	149	8xM20	103	321	128	104,5	18,5	17	20	14	70	4xM8	545,7	50	17,70
3"	80	72023214	210	168,5	8xM20	122	321	138	115	21	18	20	14	70	4xM8	872,5	50	24,80
4"	100	72023218	250	200	8xM20	152	381	156	137	23,5	21	24	18	102	4xM10	1363,3	50	45,30
6"	150	72023220	320	270	12xM20	232	700	266	201,5	51,5	30	42	30	125	4xM12	3671,1	50	80,00

Certifications

F.E. TESTED
ISO15848-1

F.E. TESTED ISO15848-1



TUV SIL 3



ATEX FIRE-SAFE (On request)

Spare Parts

● HANDLES

Code	Material	Size
RI2018	A 37	15
RI2018	A 37	20
RI2019	A 37	25
RI2019	A 37	32
RI2020	A 37	40
RI2020	A 37	50
RI2016	A 37	65
RI2016	A 37	80
RI2017	A 37	100
RI2017	A 37	125
RI2021	A 37	150
RI2021	A 37	200

● SEATS

Code	Material	Size
RI2044	PTFE VETRO - GLASS FILLED PTFE	15
RI2045	PTFE VETRO - GLASS FILLED PTFE	20
RI2046	PTFE VETRO - GLASS FILLED PTFE	25
RI2047	PTFE VETRO - GLASS FILLED PTFE	32
RI2130	PTFE VETRO - GLASS FILLED PTFE	40
RI2126	PTFE VETRO - GLASS FILLED PTFE	50
RI2122	PTFE VETRO - GLASS FILLED PTFE	65
RI2140	PTFE VETRO - GLASS FILLED PTFE	80
RI2145	PTFE VETRO - GLASS FILLED PTFE	100
RI2455	PTFE VETRO - GLASS FILLED PTFE	150

● BALL

Code	Material	Size
00304000046	AISI 304	15
00305000075	AISI 304	20
00306000038	AISI 304	25
00307000059	AISI 304	32
00308000029	AISI 304	40
00310000028	AISI 304	50
00312000013	AISI 304	65
00314000016	AISI 304	80
00318007004	AISI 304	100
00319007006	AISI 304	125
00320007001	AISI 304	150

● STEMS

Code	Material	Size
00405000061	AISI 304	15
00405000061	AISI 304	20
00406000046	AISI 304	25
00406000046	AISI 304	32
00408000051	AISI 304	40
00408000051	AISI 304	50
00412000054	AISI 304	65
00412000054	AISI 304	80
00418000037	AISI 304	100
00418000037	AISI 304	125
00420000016	AISI 304	150