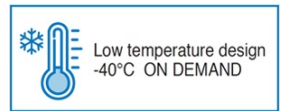


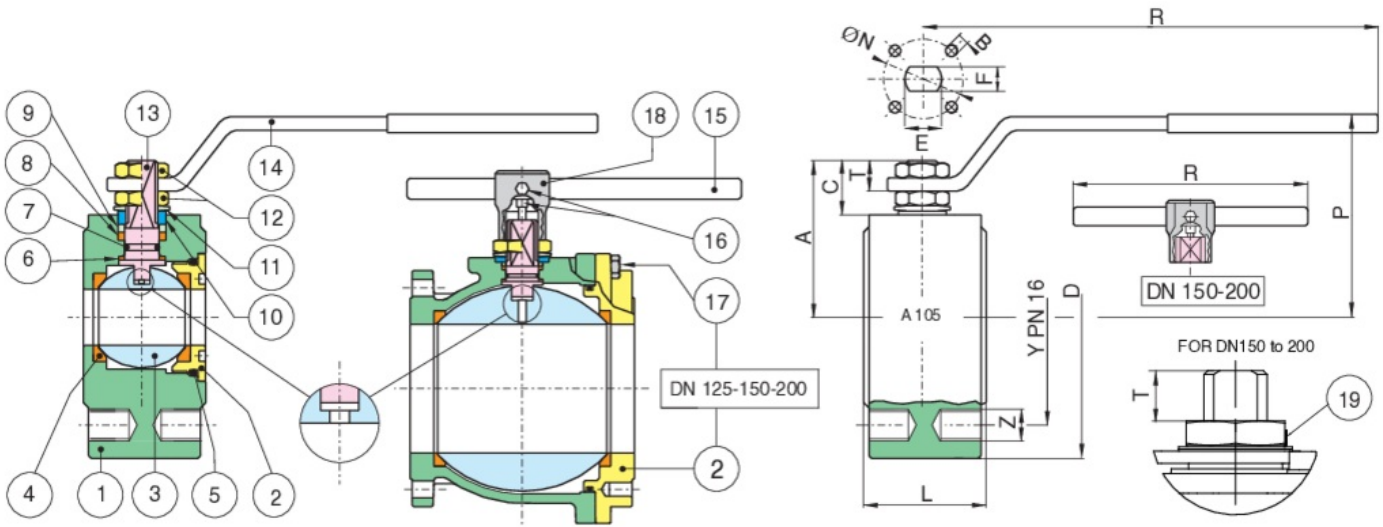
WAFER PN40

720008  
CARBON STEEL

Full bore flanged ball valve PN40, metric thread blued A105/A352-LCB carbon steel.



Technical specifications



Temperature range: -20°C +160°C.

Vacuum: 10<sup>-3</sup> torr.

POSITION	PART NAME	MATERIAL	N.° PIECES
1	BODY	ASTM A105/A352-LCB/LF2	1
2	END CONNECTION	ASTM A105/A352-LCB/LF2	1
3	BALL	A351-CF8/A479-TP304	1
4	BALL SEAT	PTFE+FIBERGLASS	2
5	O-RING	FKM	1
6	THRUST WASHER	PTFE	1
7	O-RING	FKM	1
8	STEM SEAT	PTFE	1
9	PACKING GLAND	CARBON STEEL	1
10	END STOP	INOX AISI 430 (DN15-DN50) CARBON STEEL (DN65-DN150)	2-1
11	SPRING WASHER	CARBON STEEL	2
12	NUT	CARBON STEEL	2
13	STEM	A479-TP304/17-4-PH	1
14	HANDLE	CARBON STEEL	1
15	HANDLE DN 150	CARBON STEEL	1
16	SCREW	CARBON STEEL	2
17	SCREW	CARBON STEEL	8-12
18	BODY HANDLEDN 150-200	EN-GJL 250	1
19	UNSCREWING GROWER	A182-F316	1

SIZE	DN	CODE	D	Y	Z	L	R	P	A	C	T	E	F	ØN	B	KV	PN	KG
1/2"	15	72000804	90	65	4xM12	35	131	65	47	15,5	9	10	7	32	4XM5	19,2	40	1,30
3/4"	20	72000805	100	75	4xM12	40	131	69	51,5	15,5	9	10	7	32	4XM5	35	40	1,80
1"	25	72000806	110	85	4xM12	46	174	80	61	19,5	11	12	8	42	4XM5	64,5	40	2,70
1"1/4	32	72000807	130	100	4xM16	54	174	84	64,5	16,5	11	12	8	42	4XM5	103,8	40	4,30
1"1/2	40	72000808	140	110	4xM16	63,5	250	102	78	24,5	13	16	10	50	4XM6	174	40	6,30
2"	50	72000810	150	125	4xM16	82	250	111	87	25	13	16	10	50	4XM6	301,3	40	8,80
2"1/2	65	72000812	175	145	8xM16	103	321	128	104,5	25	18	20	14	70	4XM8	545,7	40	15,60
3"	80	72000814	190	160	8xM16	122	321	138	115	28,5	18	20	14	70	4XM8	872,5	40	20,80
4"	100	72000818	235	190	8xM20	152	381	156	137	34,5	22	24	18	102	4XM10	1363,3	40	39,30
5"	125	72000819	270	220	8xM24	196	381	178	159	34	22	24	18	102	4XM10	2360,3	40	63,00
6"	150	72000820	300	250	8xM24	232	700	266	201,5	51,5	30	42	30	125	4XM12	3671,1	40	73,00
8**	200	72000821	375	320	12xØ29	400	700	348	290	68	41	42	30	125	4XM12	6816,6	40	143,00

\*Artt. 760040-760041

## Certifications



F.E. TESTED ISO15848-1



TUV SIL 3



ATEX FIRE-SAFE (On request)

## Spare Parts

● **HANDLES**

Code	Material	Size
RI2018	A 37	15
RI2018	A 37	20
RI2019	A 37	25
RI2019	A 37	32
RI2020	A 37	40
RI2020	A 37	50
RI2016	A 37	65
RI2016	A 37	80
RI2017	A 37	100
RI2017	A 37	125
RI2021	A 37	150
RI2021	A 37	200

● **SEATS**

Code	Material	Size
RI2044	PTFE VETRO - GLASS FILLED PTFE	15
RI2045	PTFE VETRO - GLASS FILLED PTFE	20
RI2046	PTFE VETRO - GLASS FILLED PTFE	25
RI2047	PTFE VETRO - GLASS FILLED PTFE	32
RI2130	PTFE VETRO - GLASS FILLED PTFE	40
RI2126	PTFE VETRO - GLASS FILLED PTFE	50
RI2122	PTFE VETRO - GLASS FILLED PTFE	65
RI2140	PTFE VETRO - GLASS FILLED PTFE	80
RI2145	PTFE VETRO - GLASS FILLED PTFE	100
RI2454	PTFE VETRO - GLASS FILLED PTFE	125
RI2052	PTFE VETRO - GLASS FILLED PTFE	200

● **BALL**

Code	Material	Size
00304000046	AISI 304	15
00305000075	AISI 304	20
00306000038	AISI 304	25
00307000059	AISI 304	32
00308000029	AISI 304	40
00310000028	AISI 304	50
00312000013	AISI 304	65
00314000016	AISI 304	80
00318007004	AISI 304	100
00319007006	AISI 304	125
00320007001	AISI 304	150

● **STEMS**

Code	Material	Size
00405000061	AISI 304	15
00405000061	AISI 304	20
00406000046	AISI 304	25
00406000046	AISI 304	32
00408000051	AISI 304	40
00408000051	AISI 304	50
00412000054	AISI 304	65
00412000054	AISI 304	80
00418000037	AISI 304	100
00418000037	AISI 304	125
00420000016	AISI 304	150