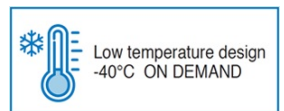
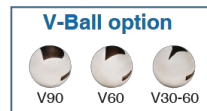


WAFER PN40

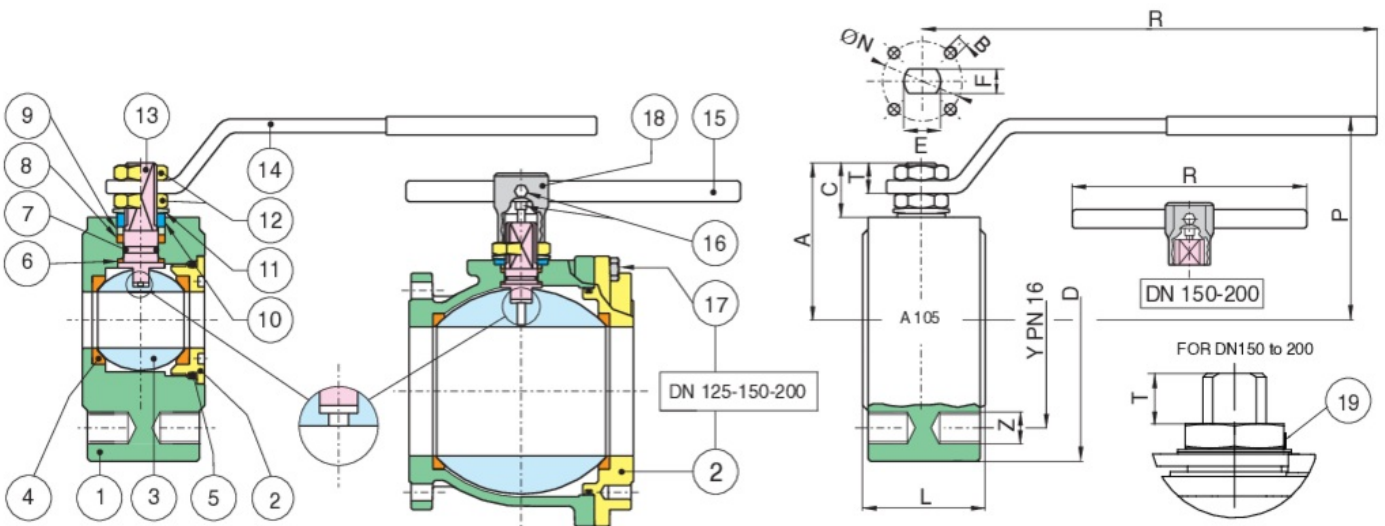


720078
STAINLESS STEEL

Full bore flanged ball valve PN40, metric thread stainless steel A351-CF8M.



Technical specifications



Temperature range: -20°C +160°C.

Vacuum: 10⁻³ torr.

POSITION	PART NAME	MATERIAL	N.° PIECES
1	BODY	A351-CF8M/A479-TP316	1
2	END CONNECTION	A351-CF8M/A479-TP316	1
3	BALL	A351-CF8M/A479-TP316	1
4	BALL SEAT	PTFE+FIBERGLASS	2
5	O-RING	FKM	1
6	THRUST WASHER	PTFE	1
7	O-RING	FKM	1
8	STEM SEAT	PTFE	1
9	PACKING GLAND	CARBON STEEL	1
10	END STOP	INOX AISI 430 (DN15-DN50) CARBON STEEL (DN65-DN150)	2-1
11	SPRING WASHER	CARBON STEEL	2
12	NUT	CARBON STEEL	2
13	STEM	A479-TP316/17-4-PH	1
14	HANDLE	CARBON STEEL	1
15	HANDLE DN 150	CARBON STEEL	1
16	SCREW	CARBON STEEL	2
17	SCREW	CARBON STEEL	8-12
18	BODY HANDLEDN 150-200	EN-GJL 250	1
19	UNSCREWING GROWER	A182-F316	1

SIZE	DN	CODE	D	Y	Z	L	R	P	A	C	T	E	F	ØN	B	KV	PN	KG
1/2"	15	72007804	90	65	4xM12	35	131	65	47	15,5	9	10	7	32	4xM5	19,2	40	1,30
3/4"	20	72007805	100	75	4xM12	40	131	69	51,5	15,5	9	10	7	32	4xM5	35	40	1,80
1"	25	72007806	115	85	4xM12	46	174	80	61	19,5	11	12	8	42	4xM5	64,5	40	2,70
1"1/4	32	72007807	140	100	4xM16	54	174	84	64,5	16,5	11	12	8	42	4xM5	103,8	40	4,30
1"1/2	40	72007808	150	110	4xM16	63,5	250	102	78	24,5	13	16	10	50	4xM6	174	40	4,40
2"	50	72007810	165	125	4xM16	82	250	111	87	25	13	16	10	50	4xM6	301,3	40	6,50
2"1/2	65	72007812	185	145	8xM16	103	321	128	104,5	25	18	20	14	70	4xM8	545,7	40	9,60
3"	80	72007814	200	160	8xM16	122	321	138	115	28,5	18	20	14	70	4xM8	872,5	40	12,80
4"	100	72007818	220	190	8xM20	152	381	156	137	34,5	22	24	18	102	4xM10	1363,3	40	21,10
5"	125	72007819	270	220	8xM24	196	381	178	159	34	22	24	18	102	4xM10	2360,3	40	63,50
6"	150	72007820	300	250	8xM24	232	700	266	201,5	51,5	30	42	30	125	4xM12	3671,1	40	68,71
8**	200	72007821	375	320	12xØ29	400	700	348	290	68	41	42	30	125	4xM12	6816,6	40	143,00

*Artt. 760040-760041

Certifications



F.E. TESTED ISO15848-1



TUV SIL 3



ATEX FIRE-SAFE (On request)

Spare Parts

● **HANDLES**

Code	Material	Size
RI2018	A 37	15
RI2018	A 37	20
RI2019	A 37	25
RI2019	A 37	32
RI2020	A 37	40
RI2020	A 37	50
RI2016	A 37	65
RI2016	A 37	80
RI2017	A 37	100
RI2017	A 37	125
RI2021	A 37	150
RI2021	A 37	200

● **SEATS**

Code	Material	Size
RI2044	PTFE VETRO - GLASS FILLED PTFE	15
RI2045	PTFE VETRO - GLASS FILLED PTFE	20
RI2046	PTFE VETRO - GLASS FILLED PTFE	25
RI2047	PTFE VETRO - GLASS FILLED PTFE	32
RI2130	PTFE VETRO - GLASS FILLED PTFE	40
RI2126	PTFE VETRO - GLASS FILLED PTFE	50
RI2122	PTFE VETRO - GLASS FILLED PTFE	65
RI2140	PTFE VETRO - GLASS FILLED PTFE	80
RI2145	PTFE VETRO - GLASS FILLED PTFE	100
RI2454	PTFE VETRO - GLASS FILLED PTFE	125
RI2052	PTFE VETRO - GLASS FILLED PTFE	200

● **BALL**

Code	Material	Size
00304000037	AISI 316	15
00305000031	AISI 316	20
00306000031	AISI 316	25
00307000028	AISI 316	32
00308000026	AISI 316	40
00310000080	AISI 316	50
00312000009	AISI 316	65
00314000013	AISI 316	80
00318007006	AISI 316	100
00319007005	AISI 316	125
00320007002	AISI 316	150

● **STEMS**

Code	Material	Size
00405000029	AISI 316	15
00405000029	AISI 316	20
00406000011	AISI 316	25
00406000011	AISI 316	32
00408000010	AISI 316	40
00408000010	AISI 316	50
00412000021	AISI 316	65
00412000021	AISI 316	80
00418000006	AISI 316	100
00418000006	AISI 316	125
00420000001	AISI 316	150