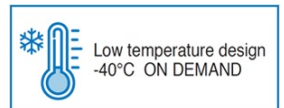


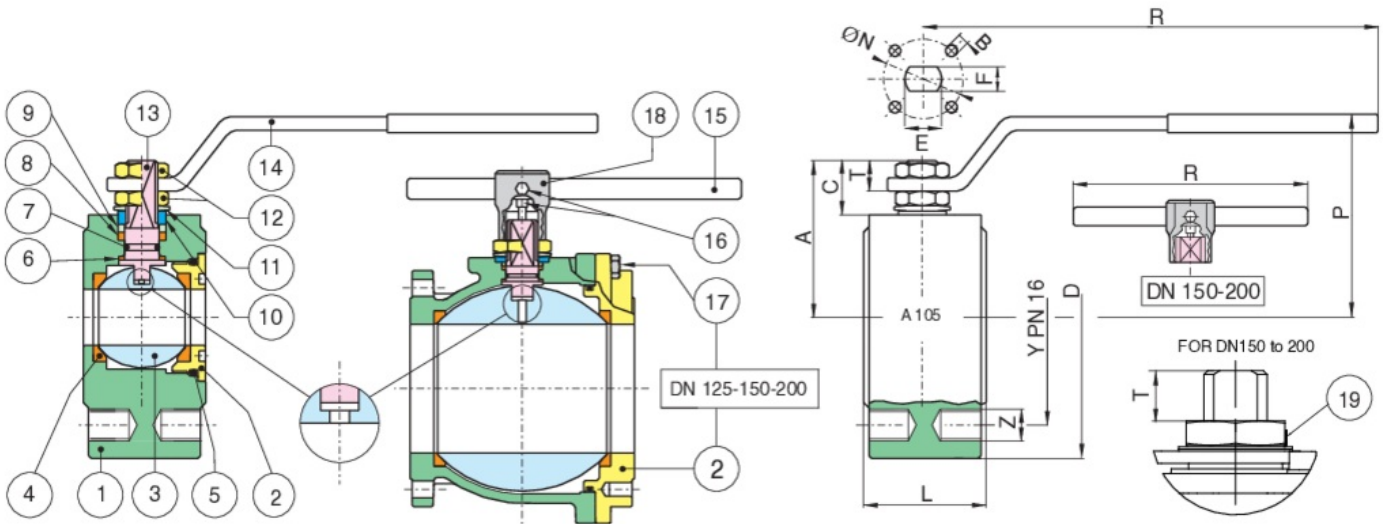
WAFER PN16

720009
CARBON STEEL

Full bore flanged ball valve ANSI 150, metric thread
blued A105/A352 LCB/LF2 carbon steel.



Technical specifications



Temperature range: -20°C +160°C.

Vacuum: 10⁻³ torr.

POSITION	PART NAME	MATERIAL	N.° PIECES
1	BODY	ASTM A105/A352-LCB/LF2	1
2	END CONNECTION	ASTM A105/A352-LCB/LF2	1
3	BALL	A351-CF8/A479-TP304	1
4	BALL SEAT	PTFE	2
5	O-RING	FKM	1
6	THRUST WASHER	PTFE	1
7	O-RING	FKM	1
8	STEM SEAT	PTFE	1
9	PACKING GLAND	CARBON STEEL	1
10	END STOP	INOX AISI 430 (DN15-DN50) CARBON STEEL (DN65-DN150)	2-1
11	SPRING WASHER	CARBON STEEL	2
12	NUT	CARBON STEEL	2
13	STEM	A479-TP304/17-4-PH	1
14	HANDLE	CARBON STEEL	1
15	HANDLE DN 150-200	CARBON STEEL	1
16	SCREW	CARBON STEEL	2
17	SCREW	CARBON STEEL	8-12
18	BODY HANDLE DN150-200	EN-GJL 250	1
19	UNSCREWING GROWER	A182-F316	1

SIZE	DN	CODE	D	Y	Z	L	R	P	A	C	T	E	F	ØN	B	KV	PN	KG
1/2"	15	72000904	90	61	4xM14	35	131	65	47	15,5	9	10	7	32	4xM5	19,2	20	1,30
3/4"	20	72000905	100	70	4xM14	40	131	69	51,5	15,5	9	10	7	32	4xM5	35	20	1,80
1"	25	72000906	110	80	4xM14	46	174	80	61	17	11	12	8	42	4xM5	64,5	20	2,70
1"1/4	32	72000907	118	89	4xM14	54	174	84	64,5	15	11	12	8	42	4xM5	103,8	20	3,70
1"1/2	40	72000908	127/130**	99	4xM14	63,5	250	102	78	24,5	13	16	10	50	4xM6	174	20	5,40
2"	50	72000910	150	121	4xM16	82	250	111	87	25	13	16	10	50	4xM6	301,3	20	8,80
2"1/2	65	72000912	175/178**	140	4xM16	103	321	128	104,5	25	18	20	14	70	4xM8	545,7	20	15,60
3"	80	72000914	190	153	4xM16	122	321	138	115	28,5	18	20	14	70	4xM8	872,5	20	20,80
4"	100	72000918	223/220**	191	8xM16	152	381	156	137	34,5	22	24	18	102	4xM10	1363,3	20	36,00
5"	125	72000919	250	216	8xM20	196	381	178	159	34	22	24	18	102	4xM10	2360,3	20	40,50
6"	150	72000920	280	241,5	8xM20	232	700	266	201,5	51,5	30	42	30	125	4xM12	3671,1	20	63,50
8**	200	72000921	345	298,5	8xØ22	457	700	332	288	68	41	42	30	125	4xM12	6816,6	20	124,00

*Art. 760005-762000 - **Art. 720006

Certifications



F.E. TESTED ISO15848-1



TUV SIL 3



ATEX FIRE-SAFE (On request)

Spare Parts

● **HANDLES**

Code	Material	Size
RI2018	A 37	15
RI2018	A 37	20
RI2019	A 37	25
RI2019	A 37	32
RI2020	A 37	40
RI2020	A 37	50
RI2016	A 37	65
RI2016	A 37	80
RI2017	A 37	100
RI2017	A 37	125
RI2021	A 37	150
RI2021	A 37	200

● **SEATS**

Code	Material	Size
RI0438	PTFE	15
RI0439	PTFE	20
RI0440	PTFE	25
RI0441	PTFE	32
RI2129	PTFE	40
RI2125	PTFE	50
RI2121	PTFE	65
RI2139	PTFE	80
RI2144	PTFE	100
RI2041	PTFE	125
RI2043	PTFE	200

● **BALL**

Code	Material	Size
00304000046	AISI 304	15
00305000075	AISI 304	20
00306000038	AISI 304	25
00307000059	AISI 304	32
00308000029	AISI 304	40
00310000028	AISI 304	50
00312000013	AISI 304	65
00314000016	AISI 304	80
00318007004	AISI 304	100
00319007006	AISI 304	125
00320007001	AISI 304	150

● **STEMS**

Code	Material	Size
00405000061	AISI 304	15
00405000061	AISI 304	20
00406000046	AISI 304	25
00406000046	AISI 304	32
00408000051	AISI 304	40
00408000051	AISI 304	50
00412000054	AISI 304	65
00412000054	AISI 304	80
00418000037	AISI 304	100
00418000037	AISI 304	125
00420000016	AISI 304	150