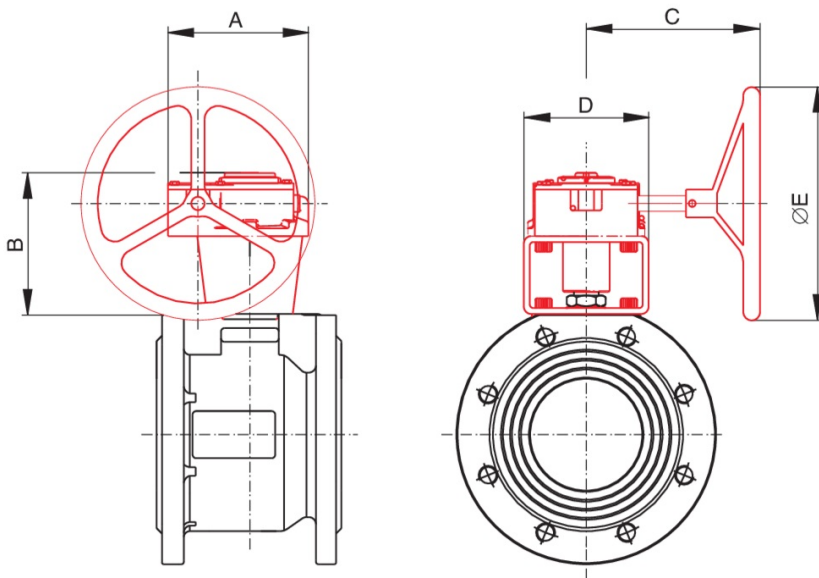




GEAR OPERATOR, UNDECLUTCHABLE FOR VALPRES BALL VALVES SERIES 72-73-76 (VERTICAL WHEEL).

## Technical specifications



POSITION	PART NAME	MATERIAL
1	BODY	Ghisa protetto da verniciatura-Cast iron Painted
2	COVER	Acciaio sinterizzato - Sintered steel
-	-	Acciaio sinterizzato - Sintered steel
4	TORQUE	Da 250 Nm a 1000 Nm - From 250 Nm to 1000 Nm
5	STROKE	90°± 5°
6	WORKING TEMPERATURE	-20°C +80°C

SIZE	CODE	DN	SERIE-SERIES	Ø
-	RI2726	250-300	76	600
-	RI6347	150-200	72-76	400
-	RI6342	80-100-125	76	200
-	RI6344	50-65	76	150
-	RI6345	80	72-73	200
-	RI6346	100÷125	72-73	200
-	RI6337	150	72	400
-	RI6337	200	73	400
-	RI6413	65	72-73	150

SIZE VALVE SERIES 72-73	A mm	B mm	C mm	D mm	ØE mm
DN65÷125	142	147	169	116	200
DN150-200	180	161	223	150	400

SIZE VALVE SERIES 76	A mm	B mm	C mm	D mm	ØE mm
DN50-65	107	118	154	88	160
DN80	107	138	154	88	160
DN100-125	142	147	169	116	200
DN150-200	180	161	223	150	400

Measures to be confirmed in case of order.