

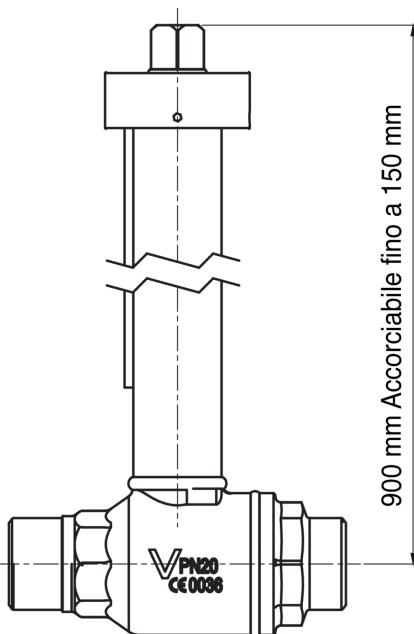
## 706Z00

**PATENTED**



Underground fully welded ball valve in carbon steel ASTM A105/WCB, full bore, But Weld end connection, realized in accordance to UNI9734 and EN 13774 for natural gas interception, with external extended stem that can be directly shortened in field based on site necessity.

### Technical specifications



SIZE	DN	CODE
1"	25	706Z0006
1"1/4	32	706Z0007
1"1/2	40	706Z0008
2"	50	706Z0010
2"1/2	65	706Z0012
3"	80	706Z0014
4"	100	706Z0018

**Epoxy painting 100 micron thick.**

---