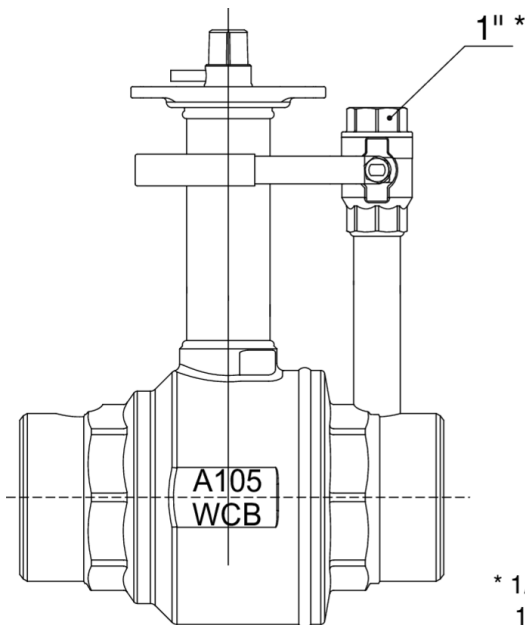


706609 WITH VENT

Fully welded floating ball valve for natural gas service, according to UNI 9734 and EN 13774, elongated stem for installation underground level, in ASTM A105, BW ends with 1 vent.



Technical specifications



* 1/2" per misura 2"-DN50
1/2" for size 2"-DN50

SIZE	DN	CODE
2"	50	70660910
3"	80	70660914
4"	100	70660918
5"	125	70660919
6"	150	70660920
8"	200	70660921

Epoxy painting 100 micron thick.
