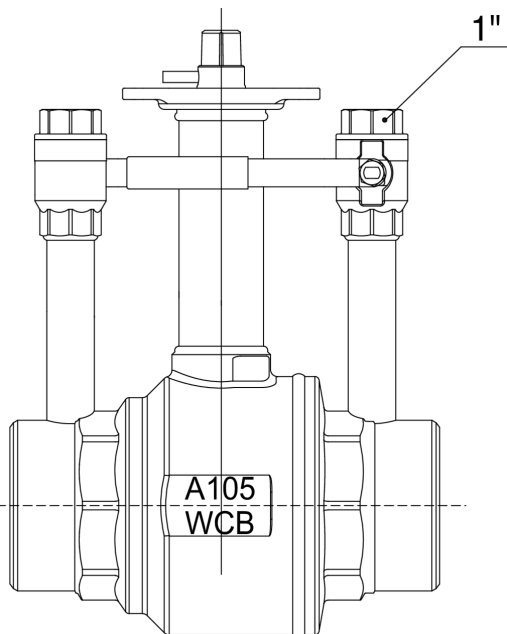


706602 WITH VENTS

Fully welded floating ball valve for natural gas service, according to UNI 9734 and EN 13774, elongated stem for installation underground level, in ASTM A105, BW ends with 2 vents.



Technical specifications



SIZE	DN	CODE
3"	80	70660214
4"	100	70660218
5"	125	70660219
6"	150	70660220
8"	200	70660221

Epoxy painting 100 micron thick.
