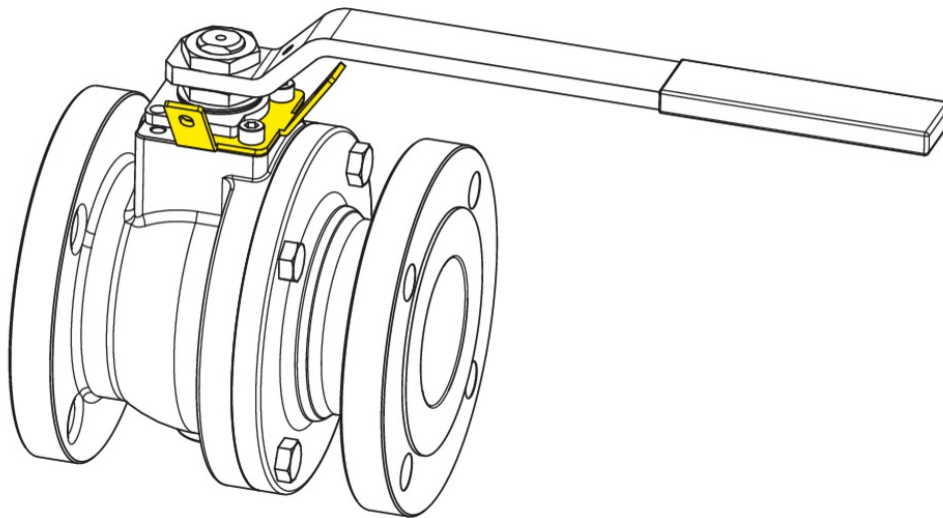


Locking handle device (lockpad excluded) type 68-76.

Technical specifications



SIZE	CODE	MISURA -SIZE	CLASS	ISO 5211 PAD	MATERIALE-MATERIAL
-	04804000026	1"	ANSI 150-300-600	Ø50-F05	AISI 316
-	04804000026	1"1/2	ANSI 150-300-600	Ø50-F05	AISI 316
-	04804000026	2"	ANSI 150-300-600	Ø50-F05	AISI 316
-	04804000026	3"x2"	ANSI 150-300	Ø50-F05	AISI 316
-	04804000034	1/2"	ANSI 150-300-600	Ø42-F04	AISI 316
-	04804000034	3/4"	ANSI 150-300-600	Ø42-F04	AISI 316
-	04814000019	3"	ANSI 150	Ø70-F07	AISI 316
-	04814000019	4"x3"	ANSI 150	Ø70-F07	AISI 316
-	04818000013	3"-4"	ANSI 300	Ø102-F10	AISI 316
-	04818000013	4"	ANSI 150	Ø102-F10	AISI 316
-	04818000013	4"x3" - 6"x4"	ANSI 300	Ø102-F10	AISI 316
-	04818000013	6"x4"	ANSI 150	Ø102-F10	AISI 316

