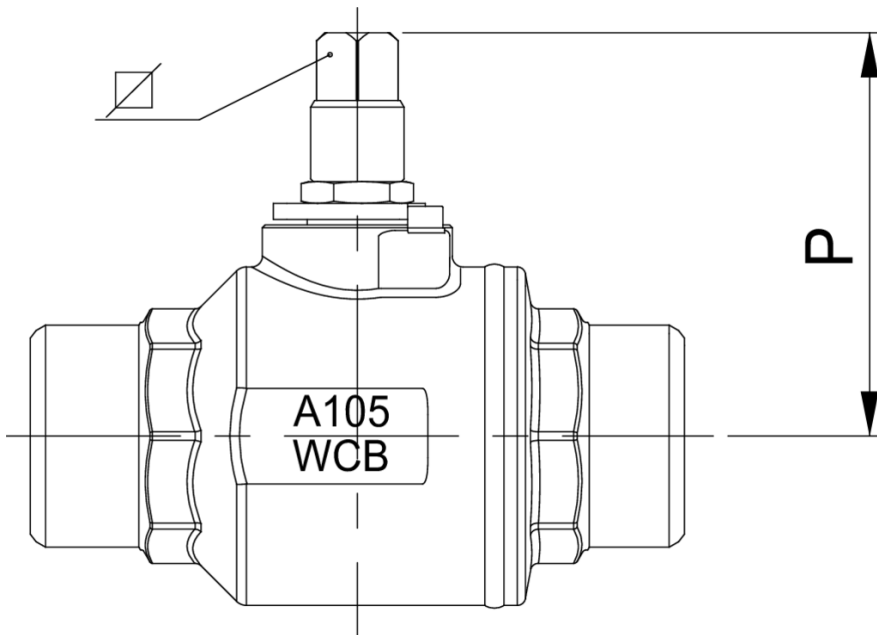


## 706003 WITH SQUARE

Fully welded floating ball valve for natural gas service, according to UNI 9734 and EN 13774, elongated stem for installation underground level, in ASTM A105, BW ends with square for manual operator connection.

### Technical specifications



SIZE	DN	CODE	P	
1"	25	70600306	104	22 x 22
1"1/4	32	70600307	110	22 x 22
1"1/2	40	70600308	127	22 x 22
2"	50	70600310	138	22 x 22
2"1/2	65	70600312	156	22 x 22
3"	80	70600314	167	22 x 22
4"	100	70600318	184	22 x 22

Epoxy painting 100 micron thick.

