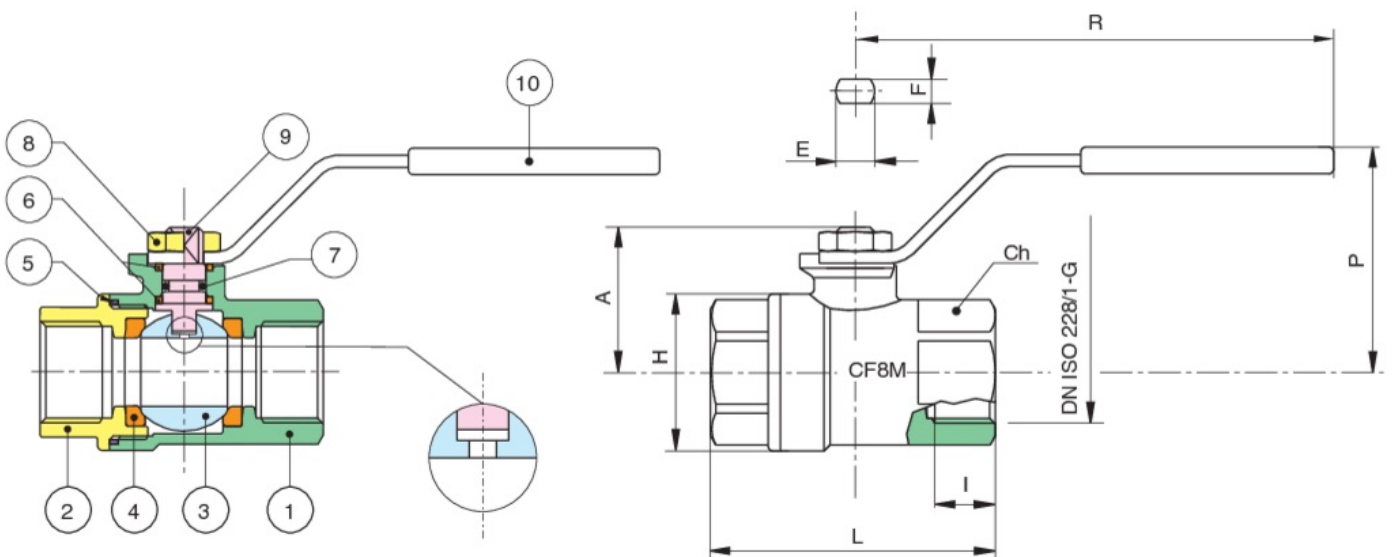


704000

Full bore stainless steel AISI 316-CF8M ball valve, F/F threading.

Technical specifications



Temperature range: -20°C +160°C.

Vacuum: 10^{-2} torr.

POSITION	PART NAME	MATERIAL	N.° PIECES
1	BODY	A351-CF8M	1
2	END CONNECTION	A351-CF8M	1
3	BALL	A479-TP316/A351-CF8M	1
4	BALL SEAT	PTFE	2
5	SEAT	PTFE	1
6	THRUST WASHER	PTFE	2
7	O-RING	FKM	1
8	NUT	A182-F304	1
9	STEM	A479-TP316/17-4-PH	1
10	HANDLE	INOX AISI 430	1

SIZE	DN	CODE	BOX	A	H	L	R	CH	I	E	F	P	KV	PN	KG
1/4"	8	70400002	15	28	30	53,5	110	ES.22	10	8	5	44	5,5	64	0,22
3/8"	10	70400003	15	28	30	53,5	110	ES.22	10	8	5	44	8,5	64	0,20
1/2"	15	70400004	10	30,5	35	60	110	ES.27	13	8	5	47	19,2	64	0,25
3/4"	20	70400005	15	37	42,5	70	131	ES.32	14	10	7	54	35	40	0,45
1"	25	70400006	5	41	52	79	131	OT.41	17	10	7	58	64,5	40	0,85
1"1/4	32	70400007	2	50	62	91	174	OT.50	19	12	8	70	103,8	25	1,20
1"1/2	40	70400008	2	57	75	103	174	OT.55	19,5	12	8	76	174	25	1,80
2"	50	70400010	2	66	95	124	174	OT.70	22,5	12	8	86	301,3	25	2,70

Spare Parts

● HANDLES

Code	Material	Size
RI2012	AISI 430	1/8"
RI2012	AISI 430	1/4"
RI2012	AISI 430	3/8"
RI2012	AISI 430	1/2"
RI2013	AISI 430	3/4"
RI2013	AISI 430	1"
RI2447	AISI 430	1"1/4
RI2447	AISI 430	1"1/2
RI2447	AISI 430	2"

● SEATS

Code	Material	Size
RI2178	PTFE	1/4"
RI2178	PTFE	3/8"
RI2112	PTFE	1/2"
RI2113	PTFE	3/4"
RI2114	PTFE	1"
RI2115	PTFE	1"1/4
RI2116	PTFE	1"1/2
RI2117	PTFE	2"

● BALL

Code	Material	Size
00301000002	AISI 316	1/4"
00301000002	AISI 316	3/8"
00304000078	AISI 316	1/2"
00305000035	AISI 316, AISI 304	3/4"
00306000082	AISI 316	1"
00307000031	AISI 316	1"1/4
00308000026	AISI 316	1"1/2
00310000080	AISI 316	2"

● STEMS

Code	Material	Size
00404007001	AISI 316	1/4"
00404007001	AISI 316	3/8"
00404007001	AISI 316	1/2"
00405007004	AISI 316	3/4"
00406007004	AISI 316	1"
00407007001	AISI 316	1"1/4
00408007007	AISI 316	1"1/2
00408007007	AISI 316	2"