

705000



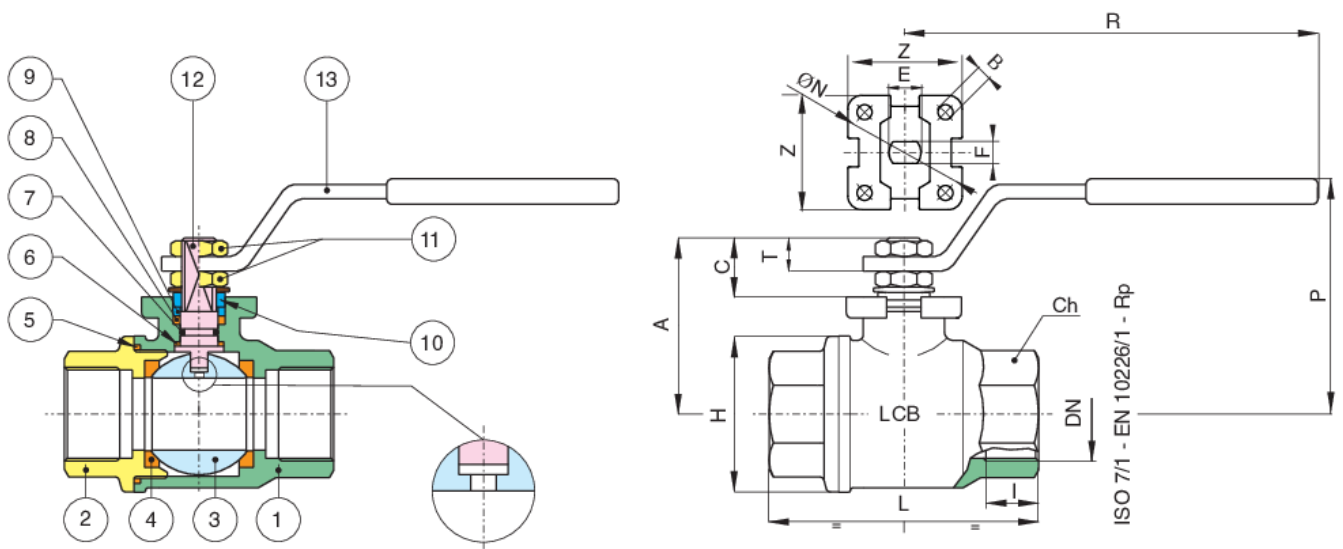
Full bore blued carbon steel A352-LCB ball valve with AISI 304 ball and stem, F/F threading, ISO 5211.

V-Ball option



Low temperature design
-40°C ON DEMAND

Technical specifications



Temperature range: -20°C +160°C.

Vacuum: 10⁻² torr.

POSITION	PART NAME	MATERIAL	N.º PIECES
1	BODY	A352-LCB	1
2	END CONNECTION	A352-LCB	1
3	BALL	A479-TP304/A351-CF8	1
4	BALL SEAT	PTFE	2
5	SEAT	PTFE	1
6	THRUST WASHER	PTFE	1
7	O-RING	FKM	1
8	STEM SEAT	PTFE	1
9	PACKING GLAND	CARBON STEEL	1
10	END STOP	INOX AISI 430	2
11	NUT	CARBON STEEL	2
12	STEM	A479-TP304/17-4-PH	1
13	HANDLE	CARBON STEEL	1

SIZE	DN	CODE	BOX	I	L	H	CH	R	P	A	C	T	E	F	ØN	B	Z	KV	PN	KG
1/4"	8	70500002	10	11	55	30	ES.22	110	50	35	13,5	8	8	5	36	5,5	36	5,5	64	0,27
3/8"	10	70500003	10	11,4	55	30	ES.22	110	50	35	13,5	8	8	5	36	5,5	36	8,5	64	0,26
1/2"	15	70500004	10	15	66	36	ES.27	110	53	38	13,5	8	8	5	36	5,5	36	19,2	64	0,35
3/4"	20	70500005	5	16,3	79	45	ES.32	131	68	51	15	10	10	7	42	5,5	42	35	64	0,65
1"	25	70500006	6	19,1	93	54	OT.41	174	79	60	19,5	12,5	12	8	42	5,5	42	64,5	64	1,02
1"1/4	32	70500007	2	21,4	98	64	OT.50	174	83	64	19,5	12,5	12	8	42	5,5	42	103,8	64	1,40
1"1/2	40	70500008	2	21,4	110	80	OT.55	250	100	79	24	16,5	16	10	50	6,5	50	174	64	2,35
2"	50	70500010	2	25,7	130	95	OT.70	250	107	86	24	16,5	16	10	50	6,5	50	301,3	64	3,54

Suitable for Methane Gas.

Certifications

SIL 3
SIL 3



ATEX FIRE-SAFE (On request)

Spare Parts

● HANDLES

Code	Material	Size
RI2143	A 37	1/4"
RI2143	A 37	3/8"
RI2143	A 37	1/2"
RI2018	A 37	3/4"
RI2019	A 37	1"
RI2019	A 37	1"1/4
RI2020	A 37	1"1/2
RI2020	A 37	2"

● SEATS

Code	Material	Size
RI2133	PTFE	1/4"
RI2133	PTFE	3/8"
RI2133	PTFE	1/2"
RI2134	PTFE	3/4"
RI2135	PTFE	1"
RI2136	PTFE	1"1/4
RI2137	PTFE	1"1/2
RI2138	PTFE	2"

● **BALL**

Code	Material	Size
00304000080	AISI 304	1/8"
00304000080	AISI 304	1/4"
00304000080	AISI 304	3/8"
00305000035	AISI 316, AISI 304	3/4"
00306000084	AISI 304	1"
00307000054	AISI 304	1"1/4
00308000029	AISI 304	1"1/2
00310000028	AISI 304	2"

● **STEMS**

Code	Material	Size
00401000003	AISI 316	1/4"
00401000003	AISI 316	3/8"
00401000003	AISI 316	1/2"
00405000061	AISI 304	3/4"
00406000046	AISI 304	1"
00406000046	AISI 304	1"1/4
00408000051	AISI 304	1"1/2
00408000051	AISI 304	2"