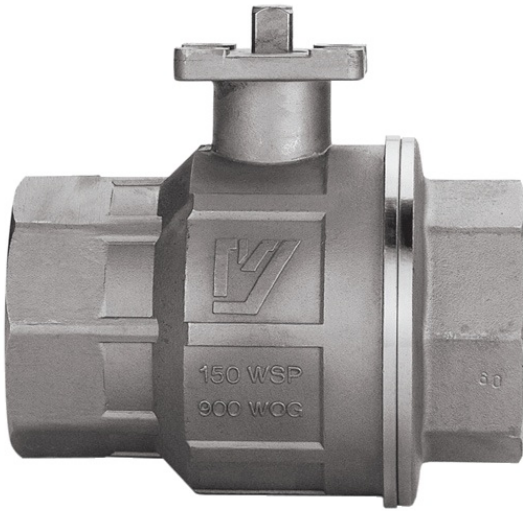
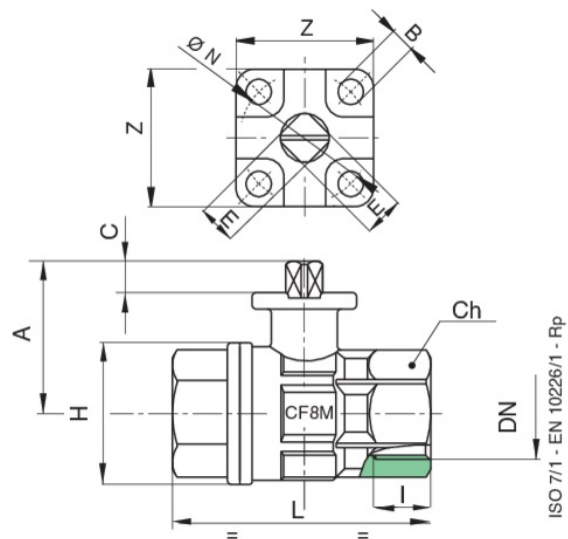
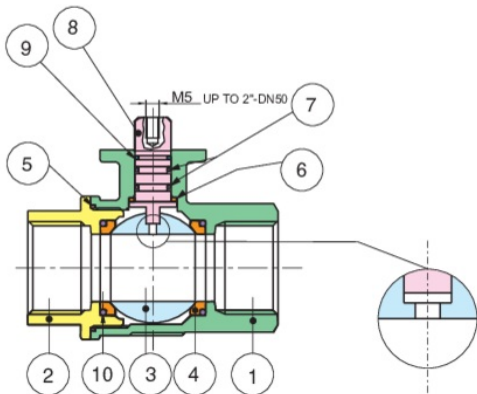


## 703000

Full bore stainless steel AISI 316-CF8M ball valve, F/F threading, ISO 5211, direct mount pad Antistatic Device.



### Technical specifications



Temperature range:  $-20^{\circ}\text{C}$   $+160^{\circ}\text{C}$ .  
Vacuum:  $10^{-2}$  torr.

POSITION	PART NAME	MATERIAL	N.° PIECES
1	BODY	A351-CF8M	1
2	END CONNECTION	A351-CF8M	1
3	BALL	A479-TP316/A351-CF8M	1
4	BALL SEAT	PTFE	2
5	SEAT	PTFE	1
6	THRUST WASHER	PTFE	1
7	O-RING	FKM	2
8	STEM	A479-TP316/17-4-PH	1
9	STEM SEAT	PTFE	1
10	O-RING (1/2"-2")	FKM	2

SIZE	DN	CODE	BOX	I	L	H	CH	A	C	E	ØN	B	Z	KV	PN	KG
1/2"	15	70300004	10	15	67	34,5	ES.27	41,5	9	9	36	6	38	19,2	64	0,30
3/4"	20	70300005	6	16,3	78	42	ES.32	43,5	9	9	36	6	38	35	64	0,40
1"	25	70300006	5	19,1	90	51,5	ES.41	53,5	9	9	36	6	38	64,5	64	0,70
1"1/4	32	70300007	2	21,4	100	64,5	OT.50	57	9	9	36	6	38	103,8	64	1,04
1"1/2	40	70300008	2	21,4	112	77	OT.55	74	11	11	50	7	50	174	64	1,68
2"	50	70300010	3	25,7	135	97	OT.70	83,3	11	11	50	7	50	301,3	64	2,95
2"1/2	65	70300012	1	30,2	160	124	87	111	15,5	14	70	9	64	545,7	25	6,06
3"	80	70300014	1	33,3	180	145	105	120	17,5	14/17	70	9	64	872,5	25	9,50

## Certifications



ATEX

SIL 3

SIL 3

## Spare Parts

### ● SEATS

Code	Material	Size
RI2204	PTFE	1/2"
RI2205	PTFE	3/4"
RI2206	PTFE	1"
RI2207	PTFE	1"1/4
RI2208	PTFE	1"1/2
RI2209	PTFE	2"
RI2951	PTFE	3"

### ● BALL

Code	Material	Size
00304000078	AISI 316	1/2"
00305000035	AISI 316, AISI 304	3/4"
00306000082	AISI 316	1"
00307000031	AISI 316	1"1/4
00308000026	AISI 316	1"1/2
00310000080	AISI 316	2"
00314000013	AISI 316	3"

### ● STEMS

Code	Material	Size
00404000028	AISI 316	1/2
00404000028	AISI 316	3/4"
00406000010	AISI 316	1"
00406000010	AISI 316	1"1/4
00408000009	AISI 316	1"1/2
00408000009	AISI 316	2"
00414000023	AISI 316	3"

