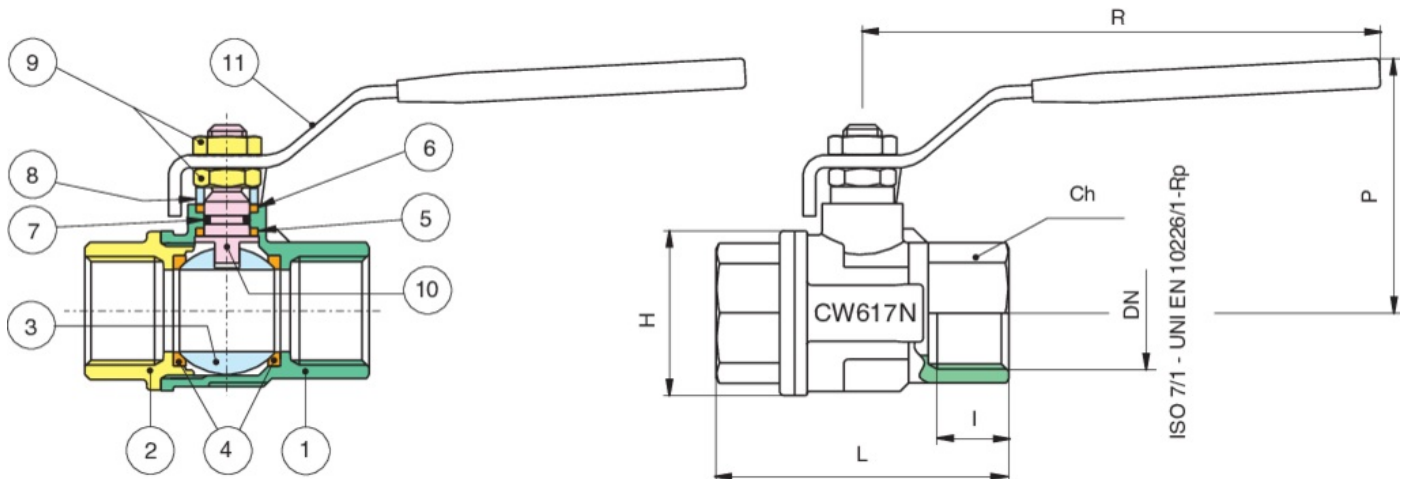


702000

Full bore brass ball valve with stainless steel AISI 316 ball, F/F threading.

Technical specifications



Temperature range: -20°C +160°C.

POSITION	PART NAME	MATERIAL	N.° PIECES
1	BODY	CW617N UNI EN 12420	1
2	END CONNECTION	CW617N UNI EN 12420	1
3	BALL	A479-TP316/A351-CF8M	1
4	BALL SEAT	PTFE	2
5	THRUST WASHER	PTFE	1
6	STEM SEAT	PTFE	1
7	O-RING	NBR	1
8	PACKING GLAND	CW614N UNI EN 12164	1
9	NUT	CARBON STEEL	2
10	STEM	CW614N UNI EN 12164	1
11	HANDLE	CARBON STEEL	1

SIZE	DN	CODE	BOX	I	L	H	CH	R	P	KV	PN	KG
1/4"	8	70200002	15	11	51,5	23	20	96	42	5,4	64	0,15
3/8"	10	70200003	15	11,4	51,5	23	20	96	42	6	64	0,14
1/2"	15	70200004	30	15	62	33	25	96	46	16,3	64	0,22
3/4"	20	70200005	25	16,3	69	39	31	121	58	29,5	50	0,36
1"	25	70200006	15	19,1	83	49	38	121	62	43	50	0,55
1"1/4	32	70200007	10	21,4	96	59	48	151	76	89	50	0,99
1"1/2	40	70200008	6	21,4	108	73	54	151	82	230	40	1,49
2"	50	70200010	4	25,7	127,5	86	67	160	95	265	40	2,10
2"1/2	65	70200012	2	30,2	152	111	90	206	123	540	25	3,92
3"	80	70200014	4	33,3	177	136	105	206	133	873	25	6,25
4"	100	70200018	2	39,3	214	166	130	261	165	1390	25	10,95