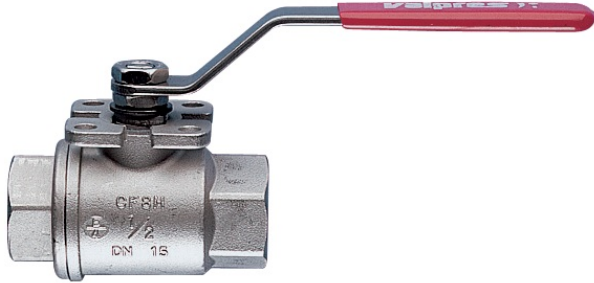
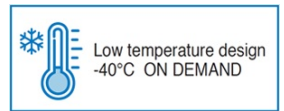


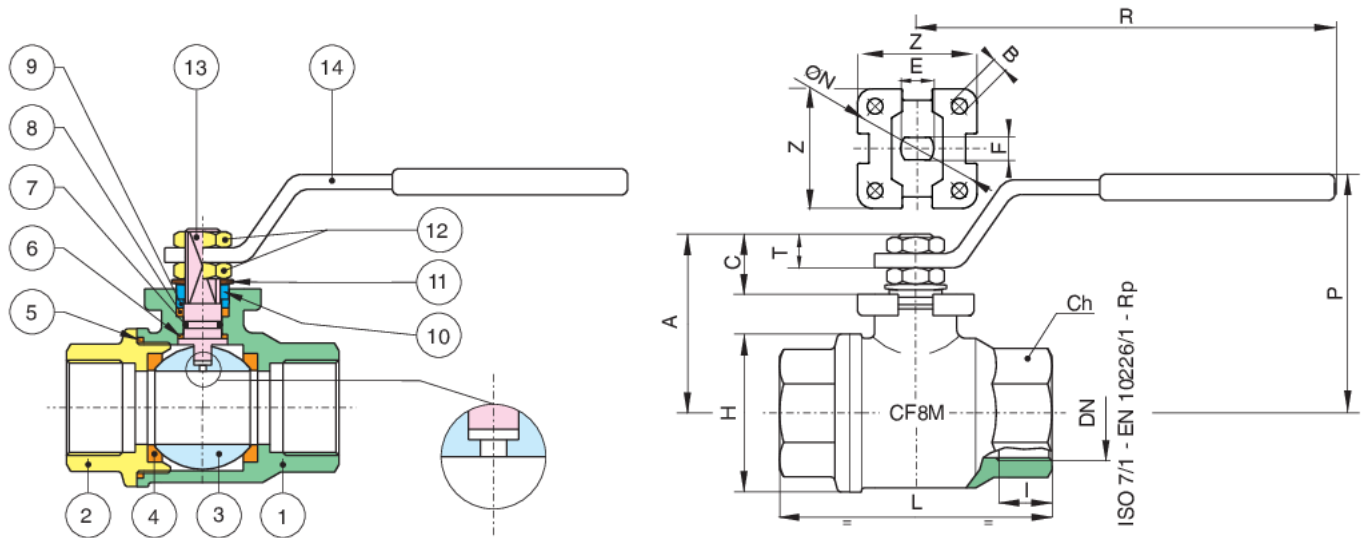
700000



Full bore stainless steel AISI 316-CF8M, ball valve, F/F threading, ISO 5211.



Technical specifications



Temperature range: -20°C +160°C.

Vacuum: 10^{-2} torr.

POSITION	PART NAME	MATERIAL	N.° PIECES
1	BODY	A351-CF8M	1
2	END CONNECTION	A351-CF8M	1
3	BALL	A479-TP316/A351-CF8M	1
4	BALL SEAT	PTFE	2
5	SEAT	PTFE	1
6	THRUST WASHER	PTFE	1
7	O-RING	FKM	1
8	STEM SEAT	PTFE	1
9	PACKING GLAND	INOX AISI 303 (1/8"-2") CARBON STEEL (2"1/2-4")	1
10	END STOP	INOX AISI 430 (1/8"-2") CARBON STEEL (2"1/2-4")	2-1
11	SPRING WASHER	CARBON STEEL (2"1/2-3"-4")	2
12	NUT	A182-F304 (1/8"-2")-CARBON STEEL (2"1/2-4")	2
13	STEM	A479-TP316/17-4-PH	1
14	HANDLE	INOX AISI 430 (1/8"-2") CARBON STEEL (2"1/2-4")	1

SIZE	DN	CODE	BOX	I	L	H	CH	R	P	A	C	E	F	ØN	B	Z	KV	PN	KG
1/8"	6	70000001	10	7,7	55	30	ES.22	110	50	35	13,5	8	5	36	5,5	36	5	140	0,29
1/4"	8	70000002	10	11	55	30	ES.22	110	50	35	13,5	8	5	36	5,5	36	5,5	140	0,27
3/8"	10	70000003	10	11,4	55	30	ES.22	110	50	35	13,5	8	5	36	5,5	36	8,5	140	0,26
1/2"	15	70000004	10	15	66	36	ES.27	110	53	38	13,5	8	5	36	5,5	36	19,2	140	0,35
3/4"	20	70000005	5	16,3	79	45	ES.32	131	68	51	15	10	7	42	5,5	42	35	105	0,65
1"	25	70000006	6	19,1	93	54	OT.41	174	79	60	19,5	12	8	42	5,5	42	64,5	105	1,02
1"1/4	32	70000007	2	21,4	100	64	OT.50	174	83	64,5	19,5	12	8	42	5,5	42	103,8	64	1,40
1"1/2	40	70000008	2	21,4	110	80	OT.55	250	100	79	24	16	10	50	6,5	50	174	64	2,35
2"	50	70000010	2	25,7	131	95	OT.70	250	107	86	24	16	10	50	6,5	50	301,3	64	3,54
2"1/2	65	70000012	1	30,2	159	122	OT.90	321	126	104	28,5	20	14	70	M8	64	545,7	25	6,95
3"	80	70000014	1	33,3	185	144	OT.105	321	137	114	28	20	14	70	M8	64	872,5	25	10,53
4"	100	70000018	1	39,3	222	177	OT.130	381	156	137	34,5	24	18	102	M10	92	1363,3	25	18,70

Certifications

SIL 3
SIL 3



ATEX FIRE-SAFE (On request)

Spare Parts

● HANDLES

Code	Material	Size
RI2012	AISI 430	1/8"
RI2012	AISI 430	1/4"
RI2012	AISI 430	3/8"
RI2012	AISI 430	1/2"
RI2013	AISI 430	3/4"
RI2014	AISI 430	1"
RI2014	AISI 430	1"1/4
RI2015	AISI 430	1"1/2
RI2015	AISI 430	2"
RI2016	A 37	2"1/2
RI2016	A 37	3"
RI2017	A 37	4"

● SEATS

Code	Material	Size
RI421	PTFE	1/8"
RI421	PTFE	1/4"
RI421	PTFE	3/8"
RI422	PTFE	1/2"
RI423	PTFE	3/4"
RI424	PTFE	1"
RI427	PTFE	1"1/4
RI425	PTFE	1"1/2
RI426	PTFE	2"
RI2174	PTFE	2"1/2
RI2176	PTFE	3"
RI2031	PTFE	4"

● BALL

Code	Material	Size
00301000002	AISI 316	1/8"
00301000002	AISI 316	1/4"
00301000002	AISI 316	3/8"
00304000037	AISI 316	1/2"
00305000031	AISI 316	3/4"
00306000031	AISI 316	1"
00307000028	AISI 316	1"1/4
00308000025	AISI 316	1"1/2
00310000079	AISI 316	2"
00312000009	AISI 316	2"1/2
00314000013	AISI 316	3"
00318007006	AISI 316	4"

● STEMS

Code	Material	Size
00401000003	AISI 316	1/8"
00401000003	AISI 316	1/4"
00401000003	AISI 316	3/8"
00401000003	AISI 316	1/2"
00405000029	AISI 316	3/4"
00406000011	AISI 316	1"
00406000011	AISI 316	1"1/4
00408000010	AISI 316	1"1/2
00408000010	AISI 316	2"
00412000021	AISI 316	2"1/2
00412000021	AISI 316	3"
00418000021	AISI 316	4"