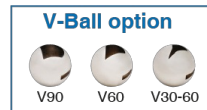


# 760101

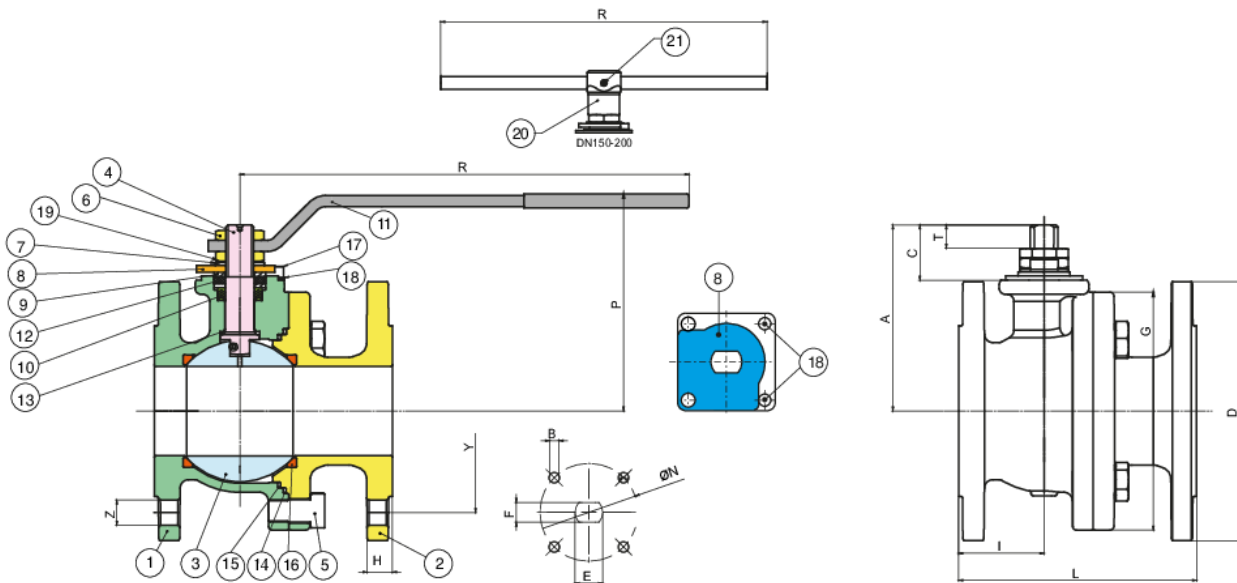


Flanged PN16 zinc-plated/painted (DN>100) carbon steel A216-WCB ball valve, full bore, EN 558 basic series 27 face to face dimension, Fire Safe, Antistatic Device.

A216-WCB, Metal core PTFE seats.



## Technical specifications



Temperature range: -20° +160°

Vacuum: 10<sup>-3</sup> torr.

POSITION	PART NAME	MATERIAL	N.° PIECES
1	BODY	A352-LCB	1
2	END CONNECTION	A352-LCB	1
3	BALL	A479-TP304/A351-CF8	1
4	STEM	A479-TP304/17-4-PH	1
5	SCREW	CARBON STEEL	4-8-12
6	NUT	STAINLESS STEEL	1-2
7	SPRING WASHER	CARBON STEEL	2
8	90° STOP	CARBON STEEL	1
9	PACKING GLAND	A182-F316	2
10	STEM SEAT	PTFE	1
11	HANDLE	CARBON STEEL	1
12	STEM SEAL	GRAPHOIL	1
13	O-RING	FKM	2
14	THRUST WASHER	PTFE	1
15	BODY SEAT	GRAPHOIL	1
16	BODY SEAT	PTFE	1
17	BALL SEAT	PTFE	2
18	SCREW	CARBON STEEL	2
19	SCREW	CARBON STEEL	2
20	BODY HANDLE DN150-200	EN-GJL 250	1
21	Unscrewing grower	A182-F316	1

SIZE	DN	CODE	D	Y	Z	H	I	L	G	P	R	A	C	T	E	F	ØN	B	KV	PN	KG
1/2"	15	76010104	95	65	4xØ14	16	49	115	71	88	131	52	19	8	M10	7	42-F04	M5	19,2	40	2,50
3/4"	20	76010105	105	75	4xØ14	18	51	120	73,5	93	131	56	19	8	M10	7	42-F04	M5	35	40	3,20
1"	25	76010106	115	85	4xØ14	18	54	125	90,5	89	174	72,5	27,5	13	M12	8	50-F05	M6	64,5	40	4,50
1"1/4	32	76010107	140	100	4xØ18	18	55	130	97	93	174	76	27,5	13	M12	8	50-F05	M6	103,8	40	5,80
1"1/2	40	76010108	150	110	4xØ18	18	51,5	140	114	133	250	107	30	10	M16	10	50-F05	M6	174	40	8,10
2"	50	76010110	165	125	4xØ18	20	57,5	150	136,5	144	321	122	38,5	18	M20	14	70-F07	M8	301,3	40	11,40
2"1/2	65	76010112	185	145	4xØ18	18	61	170	167,6	154	321	133	39,5	18	M20	14	70-F07	M8	545,7	16	15,40
3"	80	76010114	200	160	8xØ18	20	75,5	180	178,6	173	381	151	43	18	M24	18	102-F10	M10	872,5	16	20,50
4"	100	76010118	220	180	8xØ18	20	80	190	208,6	187	381	165	43	18	M24	18	102-F10	M10	1363,3	16	26,80
5"	125	76010119	250	210	8xØ18	22	149	325	273	209	381	187	43	18	M24	18	102-F10	M10	2360,3	16	50,20
6"	150	76010120	285	240	8xØ22	22	157	350	311	305	700	245	68	41	M42	30	125-F12	M12	3671,1	16	75,70
8"	200	76010121	340	295	12xØ22	24	190	400	402	348	700	288	68	41	M42	30	125-F12	M12	6816,6	16	104,00
10**	250	76010177	405	355	12xØ26	26	225	450	500	-	-	353	81	47	M52	38	140-F14	M16	11170,7	16	180,00
12**	300	76010178	460	410	12xØ26	28	250	500	560	-	-	384	81	47	M52	38	140-F14	M16	16805,6	16	226,00

\* TRUNNION supplied without handle

## Certifications



ADR BS 14432



TUV SIL 3



FIRE-SAFE Acc. EN ISO  
10497/API 607



F.E. TESTED ISO15848-1