

700077



Full bore blued carbon steel A352-LCB ball valve with AISI 304 ball and stem, F/F threading, ISO 5211.

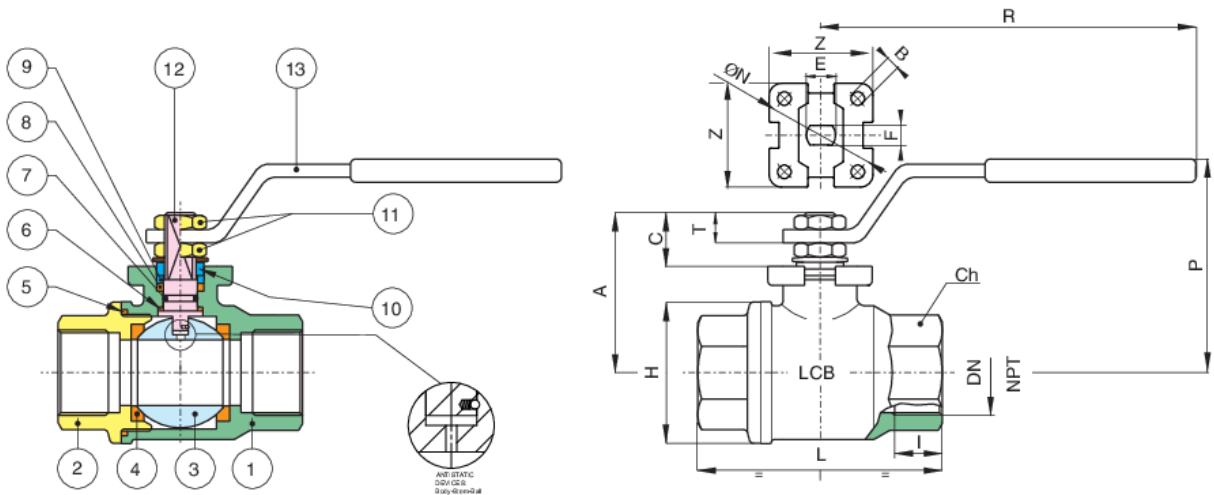
NPT Fire Safe and Antistatic Device.

V-Ball option



Low temperature design
-40°C ON DEMAND

Technical specifications



Temperature range: -20°C. +160°C.

Vacuum: 10⁻² torr.

POSITION	PART NAME	MATERIAL	N.° PIECES
1	BODY	A352-LCB	1
2	END CONNECTION	A352-LCB	1
3	BALL	A479-TP304/A351-CF8	1
4	BALL SEAT	PTFE CARBOGRAFITE - CARBON FILLED PTFE	2
5	BODY SEAT	PTFE CARBOGRAFITE - CARBON FILLED PTFE	1
6	THRUST WASHER	PTFE CARBOGRAFITE - CARBON FILLED PTFE	1
7	O-RING	FKM (VITON)	1
8	STEM SEAT	PTFE CARBOGRAFITE - CARBON FILLED PTFE	1
9	PACKING GLAND	A37+Z/P	1
10	END STOP	INOX AISI 430	1
11	NUT	6S+Z/P	2
12	STEM	A479-TP304	1
13	HANDLE	A37+Z/P	1

SIZE	DN	CODE	BOX	I	L	H	CH	R	P	A	C	T	E	F	ØN ISO 5211	B	Z	KV	PN	KG
1/4"	8	70007702	10	11	55	30	ES.22	110	50	35	13,5	8	8	5	36	5,5	36	5,5	64	0,27
3/8"	10	70007703	10	11,4	55	30	ES.22	110	50	35	13,5	8	8	5	36	5,5	36	8,5	64	0,26
1/2"	15	70007704	10	15	66	36	ES.27	110	53	38	13,5	8	8	5	36	5,5	36	19,2	64	0,35
3/4"	20	70007705	5	16,3	79	45	ES.32	131	68	51	15	10	10	7	42	5,5	42	35	64	0,65
1"	25	70007706	6	19,1	93	54	OT.41	174	79	60	19,5	12,5	12	8	42	5,5	42	64,5	64	1,02
1"1/4	32	70007707	2	21,4	100	64	OT.50	174	83	64,5	19,5	12,5	12	8	42	5,5	42	103,8	64	1,40
1"1/2	40	70007708	2	21,4	110	80	OT.55	250	100	79	24	16,5	16	10	50	6,5	50	174	64	2,35
2"	50	70007710	2	25,7	131	95	OT.70	250	107	86	24	16,5	16	10	50	6,5	50	301,3	64	3,54

Certifications

SIL 3

SIL 3



TUV



ATEX FIRE-SAFE (On request)