

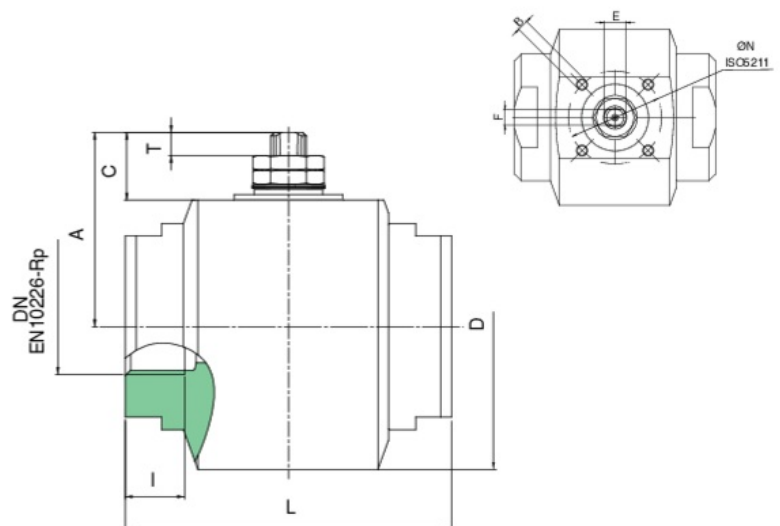
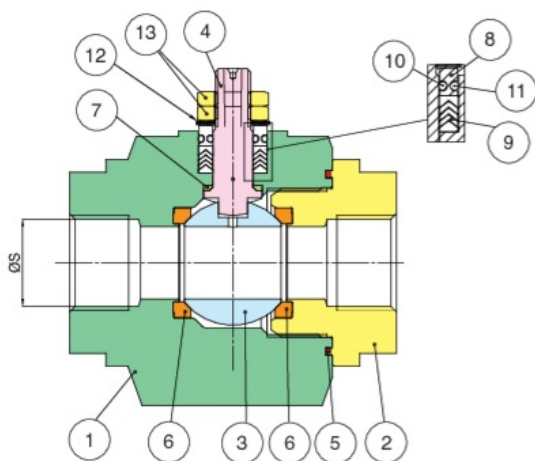
709H00 MONOBLOC

Barstock ball valve monobloc type class 800 in stainless steel A479-316, full bore, F/F threading, high cyclicality, double seat with V-Pack, elastomer and ISO 5211 pad.



NEW

Technical specifications



Temperature range: -40°C $+180^{\circ}\text{C}$.
Vacuum: 10^{-2} torr.

POSITION	PART NAME	MATERIAL	N.° PIECES
1	BODY	ASTM A479 316/316L	1
2	END CONNECTION	ASTM A479 316/316L	1
3	BALL	A351-CF8M/A479-316	1
4	ANTISTATIC STEM	A564-Tp630 H115OD/XM-19	1
5	BODY SEAT	GRAPHOIL	1
6	BALL SEAT	PEEK	2
7	ANTIFRICTION SEAT	PEEK	1
8	PACKING GLAND	A479 316/316L	1
9	V-PACK	PTFE	1
10	O-RING	HNBR	1
11	O-RING	HNBR	1
12	SPRING WASHER	AISI 304	2
13	NUT	A2-70	2

SIZE	DN	CODE	A	C	T	D	ØS	I	L	E	F	ØN	B	KV	PN	KG
1/2"	15	709H0004	50	18,8	6,5	73	14	15	75	10	7	42	M5	17	138	1,85
3/4"	20	709H0005	54	18,8	6,5	79	20	16,3	90	10	7	42	M5	35	138	2,75
1"	25	709H0006	72	30,5	10,5	94	25	19,1	105	16	10	50	M6	64,5	138	4,65
1"1/4	32	709H0007	75,5	30,5	10,5	99	30	21,4	120	16	10	50	M6	103,8	138	5,25
1"1/2	40	709H0008	91,2	34,7	14,5	128	38	21,4	135	20	14	70	M8	174	138	9,65
2"	50	709H0010	101	35	14,5	146	49	25,7	155	20	14	70	M8	291	138	13,8

Versions available: BW, SW and long BW connection.

Available for HYDROGEN degreased.

Certifications



FIRESAFE ATEX BS6755-2



F.E. TESTED ISO15848-1