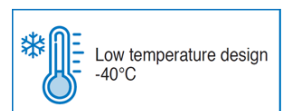
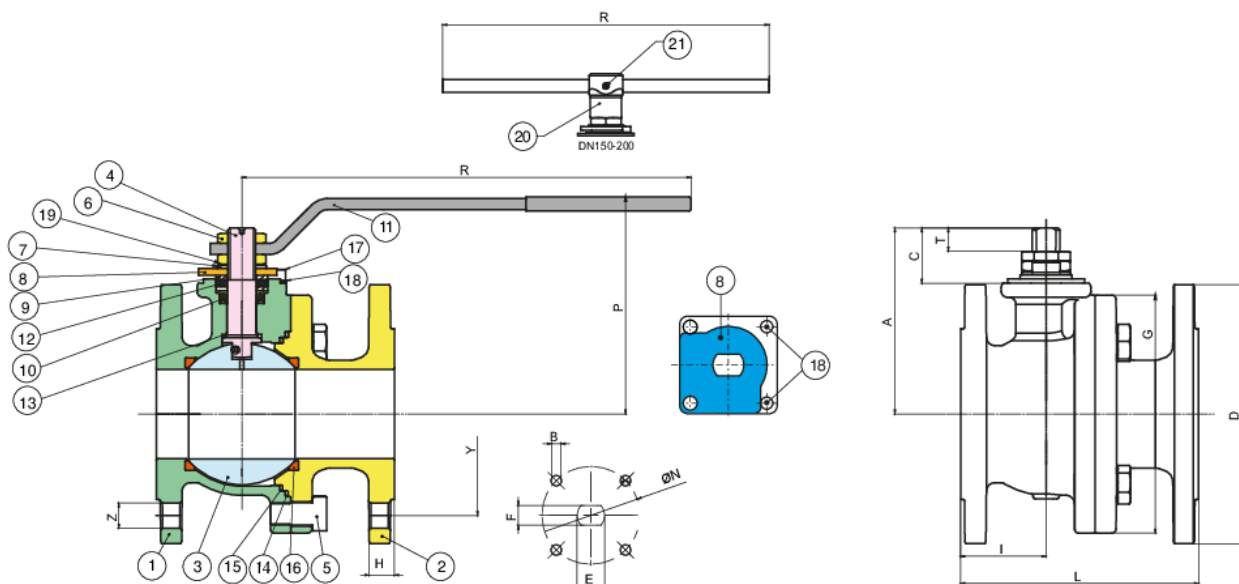


## 760V01 CARBON STEEL

Flansch-Kugelhahn PN16 aus C-Stahl A352-LCB verzinkt/lackiert (DN>100) voller Durchgang V-Pack Spindeldichtung, Baulänge nach EN 558 basic series 27, Fire Safe und antistatische Ausführung.



### Technische Spezifikationen



Temperature range: -40°C +180°C.

Vacuum:  $10^{-2}$  torr.

| POSITION | TEILNAME            | MATERIAL             | NR. STÜCK |
|----------|---------------------|----------------------|-----------|
| 1        | GEHÄUSE             | A352-LCB             | 1         |
| 2        | FLANSCH             | A352-LCB             | 1         |
| 3        | KUGEL               | A351-CF8M/A479-Tp304 | 1         |
| 4        | SPINDEL             | A479-TP304/17-4-PH   | 1         |
| 5        | SCHRAUBE            | 8.8 ENP CS           | *4-8-12   |
| 6        | MUTTER              | 6S ENP CS            | **1-2     |
| 7        | TELLERFEDER         | 50CRV4               | 2         |
| 8        | 90° STOP            | A37 ENP CS           | 1         |
| 9        | VORSPANNRING        | A479-TP316           | 2         |
| 10       | SPINDELDICHTUNG     | PTFE                 | 1         |
| 11       | HANDHEBEL           | A37 ENP CS           | 1         |
| 12       | SPINDELDICHTUNG     | GRAPHOIL             | 1         |
| 13       | SPINDELSCHEIBE      | PTFE                 | 1         |
| 14       | GEHÄUSE ABDICHTUNG  | GRAPHOIL             | 1         |
| 15       | ABDICHTUNG          | PTFE                 | 1         |
| 16       | SITZE KUGELDICHTUNG | TFM-MPTFE            | 2         |
| 17       | SCHRAUBE            | A2-70                | 2         |
| 18       | UNTERLEGSCHEIBEE    | AISI 304             | 2         |
| 19       | SICHERUNGSSCHEIBE   | AISI 316             | 1         |
| 20       | HEBEL DN150-200     | EN-GJL 250           | 1         |
| 21       | SCHRAUBE            | 8.8 CS               | 1         |

\*DN15-DN65=4 - DN80-125=8 - DN150-200=12

\*\*DN15-DN125=2 - DN150-200=1

| GRÖSSE | DN  | CODE     | D   | Y   | Z      | H  | I    | L   | G     | P   | R   | A    | C    | T  | E        | F  | ØN      | B   | KV     | PN | KG     |
|--------|-----|----------|-----|-----|--------|----|------|-----|-------|-----|-----|------|------|----|----------|----|---------|-----|--------|----|--------|
| 1/2"   | 15  | 760V0104 | 95  | 65  | 4xØ14  | 16 | 49   | 115 | 71    | 88  | 131 | 52   | 19   | 8  | M10x1,25 | 7  | 42-F04  | M5  | 19,2   | 40 | 2,50   |
| 3/4"   | 20  | 760V0105 | 105 | 75  | 4xØ14  | 18 | 51   | 120 | 73,5  | 93  | 131 | 56   | 19   | 8  | M10x1,25 | 7  | 42-F04  | M5  | 35     | 40 | 3,20   |
| 1"     | 25  | 760V0106 | 115 | 85  | 4xØ14  | 18 | 54   | 125 | 90,5  | 89  | 174 | 72,5 | 27,5 | 13 | M12x1,5  | 8  | 50-F05  | M6  | 64,5   | 40 | 4,50   |
| 1"1/4  | 32  | 760V0107 | 140 | 100 | 4xØ18  | 18 | 55   | 130 | 97    | 93  | 174 | 76   | 27,5 | 13 | M12x1,5  | 8  | 50-F05  | M6  | 103,8  | 40 | 5,80   |
| 1"1/2  | 40  | 760V0108 | 150 | 110 | 4xØ18  | 18 | 51,5 | 140 | 114   | 133 | 250 | 107  | 30   | 10 | M16x1,5  | 10 | 50-F05  | M6  | 174    | 40 | 8,10   |
| 2"     | 50  | 760V0110 | 165 | 125 | 4xØ18  | 20 | 57,5 | 150 | 136,5 | 144 | 321 | 122  | 38,5 | 18 | M20x1,5  | 14 | 70-F07  | M8  | 301,3  | 40 | 11,40  |
| 2"1/2  | 65  | 760V0112 | 185 | 145 | 4xØ18  | 18 | 61   | 170 | 167,6 | 154 | 321 | 133  | 39,5 | 18 | M20x1,5  | 14 | 70-F07  | M8  | 545,7  | 16 | 15,40  |
| 3"     | 80  | 760V0114 | 200 | 160 | 8xØ18  | 20 | 75,5 | 180 | 178,6 | 173 | 381 | 151  | 43   | 18 | M24x2    | 18 | 102-F10 | M10 | 872,5  | 16 | 20,50  |
| 4"     | 100 | 760V0118 | 220 | 180 | 8xØ18  | 20 | 80   | 190 | 208,6 | 187 | 381 | 165  | 43   | 18 | M24x2    | 18 | 102-F10 | M10 | 1363,3 | 16 | 26,80  |
| 5"     | 125 | 760V0119 | 250 | 210 | 8xØ18  | 22 | 149  | 325 | 273   | 209 | 381 | 187  | 43   | 18 | M24x2    | 18 | 102-F10 | M10 | 2360,3 | 16 | 50,20  |
| 6"     | 150 | 760V0120 | 285 | 240 | 8xØ22  | 22 | 157  | 350 | 311   | 305 | 700 | 245  | 68   | 41 | M42x3    | 30 | 125-F12 | M12 | 3671,1 | 16 | 75,70  |
| 8"     | 200 | 760V0121 | 340 | 295 | 12xØ22 | 24 | 190  | 400 | 402   | 348 | 700 | 288  | 68   | 41 | M42x3    | 30 | 125-F12 | M12 | 6816,6 | 16 | 104,00 |

## Zertifizierungen



ADR BS 14432



TUV



SIL 3



FIRE-SAFE Acc. EN ISO  
10497/API 607



ATEX FIRE-SAFE



F.E. TESTED ISO15848-1

## Ersatzteile

● **KUGEL**

| Code        | Material | Größe |
|-------------|----------|-------|
| 00304000046 | AISI 304 | 15    |
| 00305000075 | AISI 304 | 20    |
| 00306000038 | AISI 304 | 25    |
| 00307000054 | AISI 304 | 32    |
| 00308000029 | AISI 304 | 40    |
| 00310000028 | AISI 304 | 50    |
| 00312000013 | AISI 304 | 65    |
| 00314000016 | AISI 304 | 80    |
| 00318007004 | AISI 304 | 100   |

● **SPINDEL ANTISTATISCHE AUSFÜHRUNG**

| Code        | Material | Größe |
|-------------|----------|-------|
| 00404000033 | AISI 316 | 15    |
| 00404000033 | AISI 316 | 20    |
| 00406000020 | AISI 316 | 25    |
| 00406000020 | AISI 316 | 32    |
| 00412000014 | AISI 316 | 65    |

● **SPINDEL**

| Code        | Material | Größe |
|-------------|----------|-------|
| 00408000022 | AISI 316 | 40    |
| 00410000023 | AISI 316 | 50    |

●

| Code   | Material     | Größe |
|--------|--------------|-------|
| R16612 | TFM + V-PACK | 15    |
| R16613 | TFM + V-PACK | 20    |
| R16436 | TFM + V-PACK | 25    |
| R16614 | TFM + V-PACK | 32    |
| R16615 | TFM + V-PACK | 40    |
| R16616 | TFM + V-PACK | 50    |
| R16617 | TFM + V-PACK | 65    |
| R16618 | TFM + V-PACK | 80    |
| R16463 | TFM + V-PACK | 100   |
| R16619 | TFM + V-PACK | 125   |
| R16620 | TFM + V-PACK | 150   |
| R16621 | TFM + V-PACK | 200   |